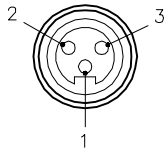


FEMALE END VIEW

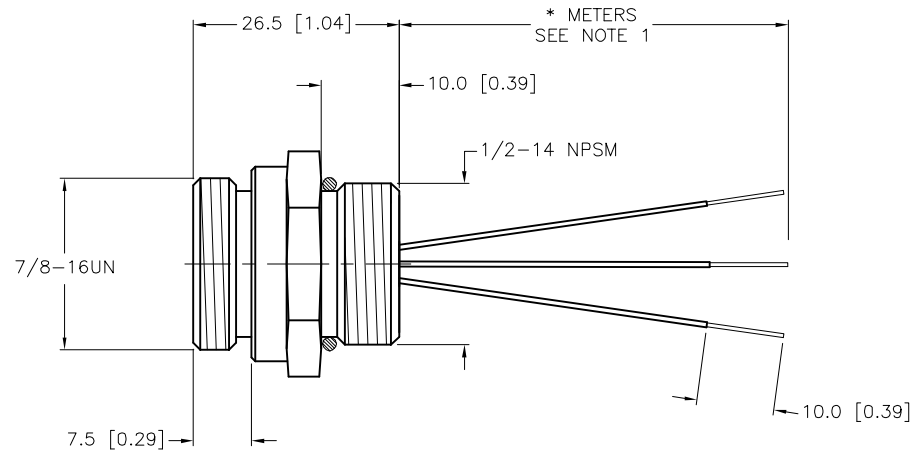
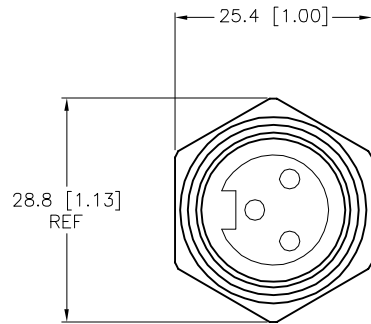


1 = GREEN/YELLOW
2 = BROWN
3 = BLUE



SPECIFICATIONS

| | |
|--------------------------------|---|
| CONTACT CARRIER MATERIAL/COLOR | TPU/BLACK |
| CONTACT MATERIAL/PLATING | BRASS/GOLD |
| HOUSING MATERIAL/PLATING | BRASS/NICKEL |
| RATED CURRENT [A] | 9.0 A |
| RATED VOLTAGE [V] | 600 V |
| NUMBER OF CONDUCTORS [AWG] | 3x18 AWG |
| TEMPERATURE RANGE | -40°C to +105°C (-40°F to +221°F) |
| PROTECTION CLASS | NEMA 1,3,4,6P,12 & IECIP67, IP68,IP69,IP69K |



| CABLE LENGTH | TOLERANCE * |
|--------------|---|
| ALL LENGTHS | + 4% (OR 50mm) OF LENGTH - 0% (OR 0mm) OF LENGTH WHICHEVER IS GREATER |
| STRIP LENGTH | TOLERANCE * |
| 0-7mm | ±0.5mm |
| 8-29mm | ±1.0mm |
| 30-49mm | ±2.0mm |
| 50-69mm | ±3.0mm |
| 70-100mm | ±4.0mm |
| OVER 100mm | ±5.0mm |

*** UNLESS OTHERWISE SPECIFIED**

NOTES:

1. "*" INDICATES LEAD LENGTH IN METERS. CONTACT TURCK TO ORDER SPECIFIC LENGTHS.

SOURCE DRAWING - FOR REFERENCE ONLY

| | | | | | | |
|---|---|--|---|--|---------------------------|---------------------------------|
| RELATED DOCUMENTS 1. 2. 3. 4. | 3RD ANGLE PROJECTION | THIS DRAWING IS CONFIDENTIAL AND THE PROPERTY OF TURCK INC. USE OF THIS DOCUMENT WITHOUT WRITTEN PERMISSION IS PROHIBITED. | | 3000 CAMPUS DRIVE MINNEAPOLIS, MN 55441 1-800-544-7769 (763) 553-7300 (763) 553-0708 fax www.turck.us | | |
| | | DRFT | RDS | DATE | 03/07/07 | DESCRIPTION RXF 30-*M |
| MATERIAL | ALL DIMENSIONS DISPLAYED ON THIS DRAWING ARE FOR REFERENCE ONLY | APVD | | SCALE | 1=1 | |
| FINISH | | CONTACT TURCK FOR MORE INFORMATION | UNIT OF MEASUREMENT MILLIMETER [INCH] | | IDENTIFICATION NO. | REV C |
| C | UPDATE PROTECTION CLASS | CBM | 04/13/21 | 76628 | | |
| REV | DESCRIPTION | BY | DATE | ECO NO. | DO NOT SCALE THIS DRAWING | FILE: 777003873 |
| | | | | | SHEET 1 OF 1 | |