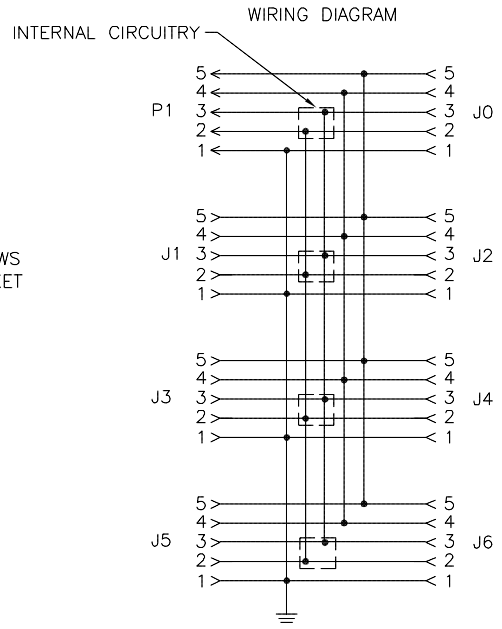
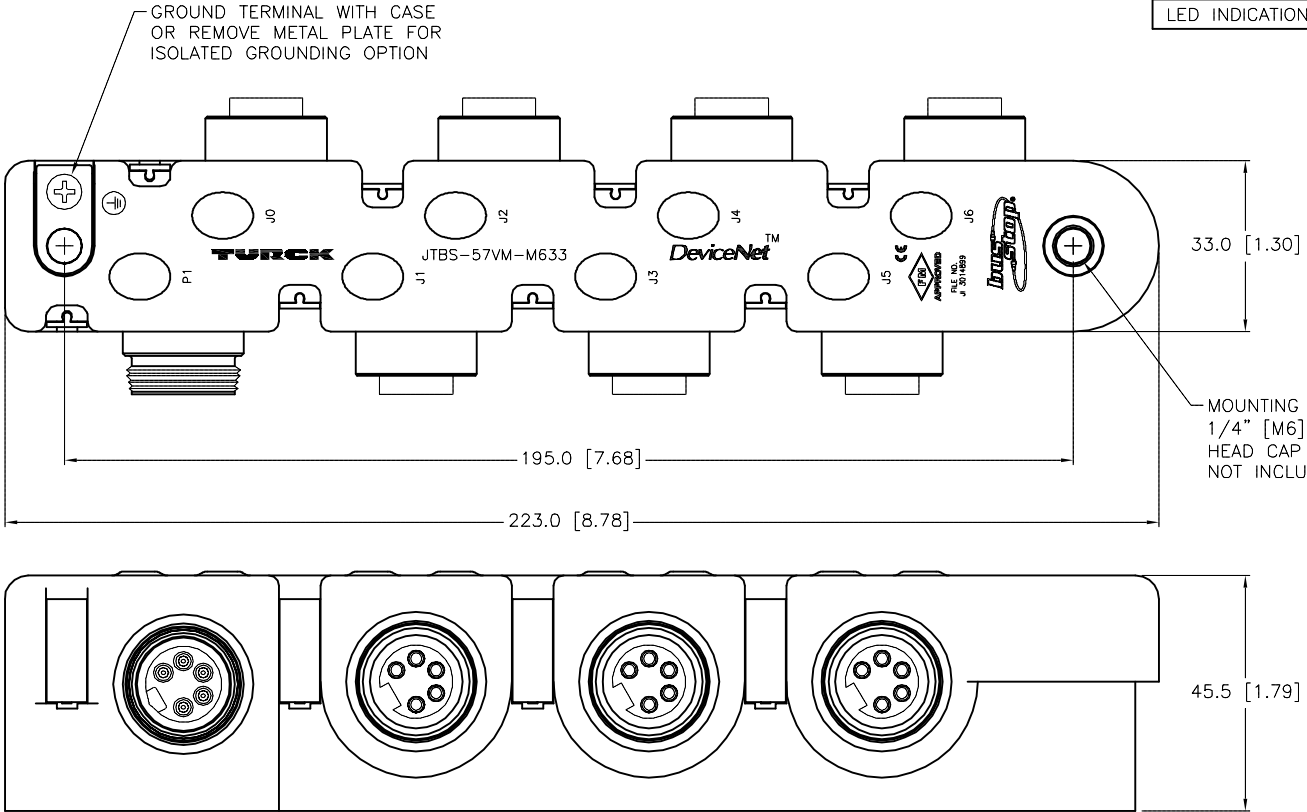

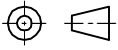


SPECIFICATIONS	
HOUSING MATERIAL/COLOR	TPU/BLACK
RECEPTACLE HOUSING/PLATING	STAINLESS STEEL/PASSIVATED
CONTACT CARRIERS	TPU
CONTACT MATERIAL/PLATING	BRASS/GOLD
OPERATING VOLTAGE	35 VDC
OPERATING CURRENT	4.0 A PER CONNECTOR
PROTECTION CLASS	NEMA 1,3,4,6,13 AND IEC IP67
OPERATING TEMPERATURE	-30°C to 80°C (-22°F to 176°F)
LED INDICATION, FLASHING AMBER	< 12.9 V
LED INDICATION, GREEN	21.9-25.6 V
LED INDICATION, AMBER	> 25.6 V



SOURCE DRAWING - FOR REFERENCE ONLY

NOTES:
1. INTERNAL VOLTAGE MONITORING CIRCUITRY IS LOCATED BETWEEN PINS 2 AND 3.

RELATED DOCUMENTS		3RD ANGLE PROJECTION		THIS DRAWING IS CONFIDENTIAL AND THE PROPERTY OF TURCK INC. USE OF THIS DOCUMENT WITHOUT WRITTEN PERMISSION IS PROHIBITED.		 <p>3000 CAMPUS DRIVE MINNEAPOLIS, MN 55441 1-800-544-7769 (763) 553-7300 (763) 553-0708 fax www.turck.us</p>	
1. 2. 3. 4.				DRFT RDS DATE 06/04/02		DESCRIPTION JTBS-57VM-M633	
MATERIAL		ALL DIMENSIONS DISPLAYED ON THIS DRAWING ARE FOR REFERENCE ONLY		APVD GC SCALE 1=1.5		IDENTIFICATION NO. U8684-63	
FINISH		CONTACT TURCK FOR MORE INFORMATION		UNIT OF MEASUREMENT MILLIMETER [INCH]		REV E	
E UPDATED NOTES AND WIRING DIAGRAM PER ECO		TV 08/26/16 56165		DO NOT SCALE THIS DRAWING		FILE: U8684-63	
REV DESCRIPTION		BY DATE ECO NO.				SHEET 1 OF 1	