

# SACC-M12FS-8CON-PG 9-SH - Connector



1511860

<https://www.phoenixcontact.com/us/products/1511860>

Please be informed that the data shown in this PDF document is generated from our online catalog. Please find the complete data in the user documentation. Our general terms of use for downloads are valid.



Connector, Universal, 8-position, shielded, Socket straight M12, coding: A, Screw connection, knurl material: Brass, nickel-plated, external cable diameter 6 mm ... 8 mm

## Your advantages

- Safe use in the field, thanks to a high degree of protection
- Screw connection: proven connection technology for a large selection of different conductors
- Reliable signal transmission – 360° shielding in environments with electromagnetic interference

## Commercial data

Item number	1511860
Packing unit	1 pc
Minimum order quantity	1 pc
Sales key	BF30
Product key	BF2CBA
Catalog page	Page 24 (C-2-2019)
GTIN	4017918908621
Weight per piece (including packing)	60.685 g
Weight per piece (excluding packing)	48.88 g
Customs tariff number	85366990
Country of origin	CN

## Technical data

### Notes

General	<b>NOTE:</b> Observe the permissible bending radii when laying conductors, since the degree of protection may be put in jeopardy if the bending forces are too high. Alleviate mechanical loads upstream of the connector, e.g. by using cable ties.
---------	--

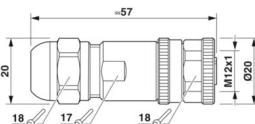
### Product properties

Product type	Circular connector (cable-side)
Sensor type	Universal
Number of positions	8
No. of cable outlets	1
Shielded	yes
Coding	A
Cable outlet	straight

### Insulation characteristics

Overvoltage category	II
Degree of pollution	3

### Dimensions

Dimensional drawing	
Width	20 mm
Height	20 mm
Length	57 mm
Wrench size, union nut	18 mm
Wrench size, counter nut	17 mm

### External dimensions

Outside diameter	6 mm ... 8 mm
------------------	---------------

### Housing

Diameter housing	20 mm
------------------	-------

### Material specifications

Flammability rating according to UL 94	HB
Seal material	Silicon
Material of grip body	Brass, nickel-plated
Contact material	CuZn
Contact surface material	Au
Contact carrier material	PA

# SACC-M12FS-8CON-PG 9-SH - Connector



1511860

<https://www.phoenixcontact.com/us/products/1511860>

Material for screw connection	Brass, nickel-plated
-------------------------------	----------------------

## Connection data

### Conductor connection

Connection method	Screw connection
Connection cross section	0.25 mm <sup>2</sup> ... 0.5 mm <sup>2</sup> (without ferrule)
	0.14 mm <sup>2</sup> ... 0.34 mm <sup>2</sup> (with ferrule)
	0.25 mm <sup>2</sup> ... 0.5 mm <sup>2</sup> (solid)
Connection cross section AWG	24 ... 20 (without ferrule)
	26 ... 22 (with ferrule)
Stripping length of the individual wire	5 mm
Tightening torque	0.4 Nm (M12 knurl)
	0.2 Nm (Screw terminal blocks)
	1 Nm (Pressure nut with coupling sleeve)

## Electrical properties

Rated surge voltage	0.8 kV
Contact resistance	≤ 8 mΩ
Insulation resistance	≥ 100 MΩ
Nominal voltage U <sub>N</sub>	30 V AC
	30 V DC
Nominal current I <sub>N</sub>	2 A

## Mechanical properties

### Mechanical data

Insertion/withdrawal cycles	≥ 100
-----------------------------	-------

## Connector

### Connection 1

Head design	Socket
Head cable outlet	straight
Head thread type	M12
Coding	A

## Cable/line

Signal type/category	Universal
Stripping length of the individual wire	5 mm

## Environmental and real-life conditions

### Ambient conditions

Degree of protection	IP67
Ambient temperature (operation)	-40 °C ... 85 °C (Plug / socket)

# SACC-M12FS-8CON-PG 9-SH - Connector



1511860

<https://www.phoenixcontact.com/us/products/1511860>

## Standards and regulations

### M12

Standard designation	M12 connector
Standards/specifications	IEC 61076-2-101

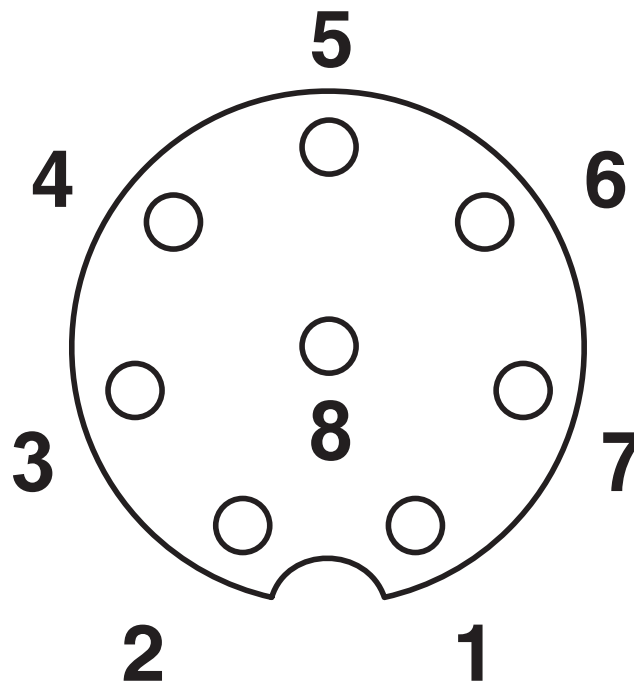
# SACC-M12FS-8CON-PG 9-SH - Connector

1511860

<https://www.phoenixcontact.com/us/products/1511860>

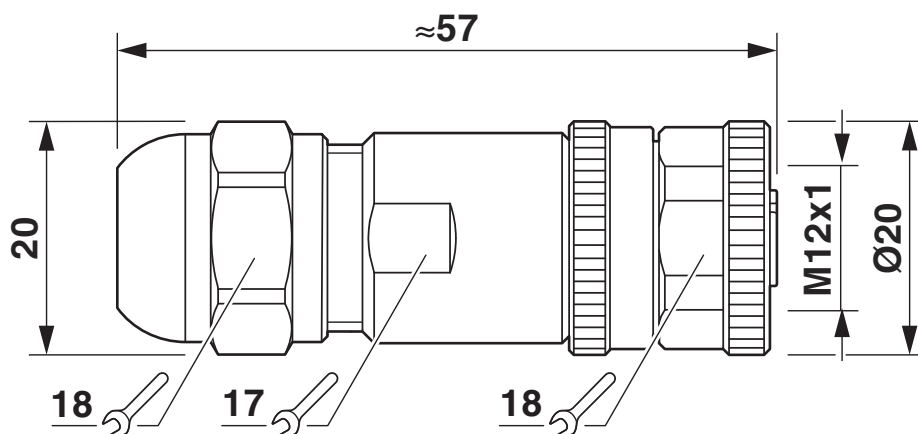
## Drawings

Schematic diagram



Pin assignment M12 socket, 8-pos., A-coded, view female side

Dimensional drawing



M12 x 1 socket, straight, shielded

# SACC-M12FS-8CON-PG 9-SH - Connector




1511860

<https://www.phoenixcontact.com/us/products/1511860>

## Approvals

To download certificates, visit the product detail page: <https://www.phoenixcontact.com/us/products/1511860>

 <b>cUL Recognized</b> Approval ID: FILE E 221474				
	Nominal voltage $U_N$	Nominal current $I_N$	Cross section AWG	Cross section $mm^2$
	30 V	2 A	-	-

 <b>UL Recognized</b> Approval ID: FILE E 221474				
	Nominal voltage $U_N$	Nominal current $I_N$	Cross section AWG	Cross section $mm^2$
	30 V	2 A	-	-

**cULus Recognized**

# SACC-M12FS-8CON-PG 9-SH - Connector



1511860

<https://www.phoenixcontact.com/us/products/1511860>

## Classifications

### ECLASS

ECLASS-11.0	27440102
ECLASS-12.0	27440116
ECLASS-13.0	27440116

### ETIM

ETIM 9.0	EC002635
----------	----------

### UNSPSC

UNSPSC 21.0	39121400
-------------	----------

# SACC-M12FS-8CON-PG 9-SH - Connector



1511860

<https://www.phoenixcontact.com/us/products/1511860>

## Environmental product compliance

REACH SVHC	Lead 7439-92-1
China RoHS	Environmentally Friendly Use Period = 50 years
	For information on hazardous substances, refer to the manufacturer's declaration available under "Downloads"



# SACC-M12FS-8CON-PG 9-SH - Connector



1511860

<https://www.phoenixcontact.com/us/products/1511860>

## Accessories

### PROT-M12 MS-PA-CHAIN - Screw plug

1430899

<https://www.phoenixcontact.com/us/products/1430899>

M12 sealing cap with fixing band, for sensor cables, for free M12 sockets



---

### VS-OE-OE-94B-100,0 - Data cable

1416567

<https://www.phoenixcontact.com/us/products/1416567>



Data cable, Ethernet CAT5 (1 Gbps), 8-position, PUR halogen-free, water blue RAL 5021, shielded (Aluminum-coated foil, tinned copper braided shield), free cable end, on free cable end, cable length: 100 m

# SACC-M12FS-8CON-PG 9-SH - Connector

1511860

<https://www.phoenixcontact.com/us/products/1511860>

## VS-OE-OE-94C-100,0 - Data cable

1416318

<https://www.phoenixcontact.com/us/products/1416318>



Data cable, Ethernet CAT5 (1 Gbps), 8-position, PUR halogen-free, water blue RAL 5021, shielded (Tinned copper braided shield), free cable end, on free cable end, cable length: 100 m

---

## VS-OE-OE-94F-100,0 - Data cable

1416347

<https://www.phoenixcontact.com/us/products/1416347>



Data cable, Ethernet CAT6<sub>A</sub> (10 Gbps), 8-position, PUR halogen-free, water blue RAL 5021, shielded (Tinned copper braided shield), free cable end, on free cable end, cable length: 100 m

# SACC-M12FS-8CON-PG 9-SH - Connector



1511860

<https://www.phoenixcontact.com/us/products/1511860>

## A 0,25- 5 - Ferrule

3202465

<https://www.phoenixcontact.com/us/products/3202465>



Ferrule, color: silver

---

## TSD 04 SAC - Torque screwdriver

1208429

<https://www.phoenixcontact.com/us/products/1208429>



Torque screwdriver, with preset torque of 0.4 Nm and 4 mm hexagonal drive for M12 connectors

# SACC-M12FS-8CON-PG 9-SH - Connector



1511860

<https://www.phoenixcontact.com/us/products/1511860>

## SACC BIT M12-D20 - Tool

1208445

<https://www.phoenixcontact.com/us/products/1208445>

Nut for assembling M12 connectors for assembly with a knurl diameter of 20 mm, for 4 mm hexagonal drive



---

## TSD-M 1,2NM - Torque screwdriver

1212224

<https://www.phoenixcontact.com/us/products/1212224>

Torque screw driver, accuracy as per EN ISO 6789 standard, adjustable from 0.3 - 1.2 Nm



# SACC-M12FS-8CON-PG 9-SH - Connector



1511860

<https://www.phoenixcontact.com/us/products/1511860>

## TSD-M SAC-BIT ADAPTER - Adapter insert

1212600

<https://www.phoenixcontact.com/us/products/1212600>



Adapter bit for TSD-M...torque tools, E6.3-1/4" drive with 4 mm hexagon to accommodate SAC bits

---

## CRIMPFOX 6H - Crimping pliers

1212046

<https://www.phoenixcontact.com/us/products/1212046>



Crimping pliers, for ferrules without insulating collar according to DIN 46228 Part 1 and ferrules with insulating collar according to DIN 46228 Part 4, 0.14 mm<sup>2</sup> ... 6 mm<sup>2</sup>, unlockable pressure lock, lateral entry

# SACC-M12FS-8CON-PG 9-SH - Connector

1511860

<https://www.phoenixcontact.com/us/products/1511860>



## VS-CABLE-STRIP-VARIO - Stripping tool

1657407

<https://www.phoenixcontact.com/us/products/1657407>

Stripping tool, for the multi-level stripping of shielded cables



---

## WIREFOX SAC - Stripping tool

1212623

<https://www.phoenixcontact.com/us/products/1212623>

Stripping pliers, for halogen-free sensor/actuator cables (SAC cables), with PUR and PVC insulation, from Ø of 4.4 to 7 mm, any stripping length



# SACC-M12FS-8CON-PG 9-SH - Connector



1511860

<https://www.phoenixcontact.com/us/products/1511860>

## SZS 0,4X2,0 - Screwdriver

1205202

<https://www.phoenixcontact.com/us/products/1205202>



Micro screwdriver, bladed, size: 0.4 x 2.0 x 60 mm, 2-component grip, with non-slip grip and twist cap

---

Phoenix Contact 2024 © - all rights reserved

<https://www.phoenixcontact.com>

Phoenix Contact USA  
586 Fulling Mill Road  
Middletown, PA 17057, United States  
(+717) 944-1300  
[info@phoenixcon.com](mailto:info@phoenixcon.com)