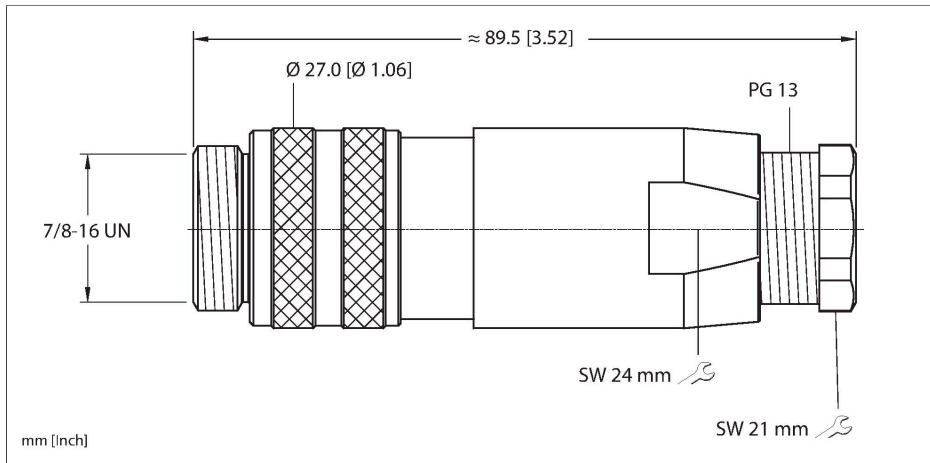


# BS 4151-0/13.5

## Actuator and Sensor Field Wireable – 7/8" Connection



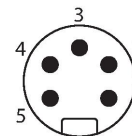
### Technical data

Type	BS 4151-0/13.5
ID	U6422
Connector A	Male, 7/8"-16 UN, Straight
Number of contacts	5
Contacts	Brass, CuSn, Gold-plated
Contact carriers	Plastic, Nylon or TPU, Black
Connector body	Plastic, PBT, Black
Coupling nut	Aluminum, CuZn, Anodized
Acceptable cable diameter	10...12 mm
Core cross-section/terminal capacity	16 AWG
Connection mode	Screw/clamp connection
Mechanical life	> 50 Mating cycles
Pollution degree	3
Protection class (When coupled)	IP67
	NEMA: 1, 3, 4, 6P, 12
<b>Electrical properties at +20 °C</b>	
Rated voltage	600 V
Current	9 A
<b>Mechanical and chemical properties</b>	
Ambient temperature range (static)	-25 °C...+85 °C
Approvals	UL Recognized RoHS

### Features

- 
- 7/8" Male, Straight, 5-pin
- Plastic Housing
- Screw terminal Wire Termination

### Contact assignment



## Technical data

### Note

- We reserve the right to make technical alterations without prior notice.

---