

HC-EVO-B16PT-BWSC-HH-M25ELC-AL - Connector set



1411492

<https://www.phoenixcontact.com/us/products/1411492>

Please be informed that the data shown in this PDF document is generated from our online catalog. Please find the complete data in the user documentation. Our general terms of use for downloads are valid.



EVO connector set, B16 series, metal housing, consisting of sleeve housing 1411461, panel mounting base 1411325, EVO screw connection 1411446, pin contact insert 1407732, socket contact insert 1407731

Commercial data

Item number	1411492
Packing unit	1 pc
Minimum order quantity	1 pc
Sales key	BF63
Product key	BF7AFX
Catalog page	Page 637 (C-2-2017)
GTIN	4046356932929
Weight per piece (including packing)	662 g
Weight per piece (excluding packing)	661 g
Customs tariff number	85366990
Country of origin	CN

HC-EVO-B16PT-BWSC-HH-M25ELC-AL - Connector set



1411492

<https://www.phoenixcontact.com/us/products/1411492>

Set consists of

HC-B16-I-PT-F - Contact insert

1407731

<https://www.phoenixcontact.com/us/products/1407731>

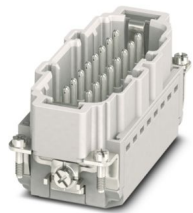


Contact insert, number of positions: 16+PE, size: B16, number of connections per position: 1, Socket, Push-in connection, 500 V, 16 A, 0.14 mm² ... 2.5 mm², application: Power

HC-B16-I-PT-M - Contact insert

1407732

<https://www.phoenixcontact.com/us/products/1407732>



Contact insert, number of positions: 16+PE, size: B16, number of connections per position: 1, Pin, Push-in connection, 500 V, 16 A, 0.14 mm² ... 2.5 mm², application: Power

HC-EVO-B16PT-BWSC-HH-M25ELC-AL - Connector set



1411492

<https://www.phoenixcontact.com/us/products/1411492>

HC-STA-B16-BWSC-ELC-AL - Housing

1411325

<https://www.phoenixcontact.com/us/products/1411325>



Panel mounting base B16, with single locking latch, material: Die-cast aluminum, salt water resistant, protective cover material: PC, height: 30.5 mm, cable gland: none, protective cover: yes, Standard, with flat gasket

HC-EVO-B16-HHFS-EL-AL - Housing

1411461

<https://www.phoenixcontact.com/us/products/1411461>



HEAVYCON EVO sleeve housing, EMC version, without powder coating, with bayonet flange for EVO screw connection, B16, for single locking latch, height: 88 mm, without EVO screw connection.

HC-EVO-B16PT-BWSC-HH-M25ELC-AL - Connector set



1411492

<https://www.phoenixcontact.com/us/products/1411492>

HC-B-G-M25-EC-AL - Cable gland

1411446

<https://www.phoenixcontact.com/us/products/1411446>



EVO EMC cable gland with bayonet locking, B series, size M25, cable diameter:
11 ... 16 mm

HC-EVO-B16PT-BWSC-HH-M25ELC-AL - Connector set



1411492

<https://www.phoenixcontact.com/us/products/1411492>

Technical data

Product properties

Product type	Connector set
Series	HC-B
Type	B16
Number of positions	16
Connection profile	16+PE
No. of cable outlets	1
Housing type	Complete housing
Seal present	yes
Protective cover	yes
Cable outlet	straight

Insulation characteristics

Overvoltage category	III
Degree of pollution	3

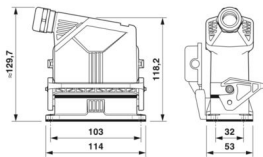
Electrical properties

Rated voltage (III/3)	500 V
Rated surge voltage	6 kV
Rated current	16 A

Connection data

Connection method	Push-in connection
Connection technology	Push-in connection
Conductor cross section	0.14 mm ² ... 2.5 mm ² (with ferrule) 0.14 mm ² ... 2.5 mm ² (with ferrule)
Connection cross section AWG	26 ... 14
Tightening torque	0.5 Nm ... 1.7 Nm (Fixing screws for panel mounting base)
Stripping length	8 mm ... 10 mm

Dimensions

Dimensional drawing	
Width	53 mm
Height	118.5 mm
Length	114 mm
Drill hole distance, horizontal	103 mm

HC-EVO-B16PT-BWSC-HH-M25ELC-AL - Connector set



1411492

<https://www.phoenixcontact.com/us/products/1411492>

Drill hole distance, vertical	32 mm
-------------------------------	-------

Installation dimensions

Width of the assembly cutout	35 mm
Length of the assembly cutout	86 mm

Material specifications

Material Housing	Die-cast aluminum, corrosion-resistant
Material Protective cover	PA
Flammability rating according to UL 94	V0
Seal material	NBR NBR
Contact material	Copper alloy
Contact surface material	Ag
Contact carrier material	PA
Locking latch material	PA
Impact strength	IK08

Cable/line

External cable diameter ()	11 mm ... 16 mm
-----------------------------	-----------------

Mechanical properties

Mechanical data

Locking type	Latch
Insertion/withdrawal cycles	≥ 500

Environmental and real-life conditions

Ambient conditions

Degree of protection	IP66 IP67 IP66
Enclosure rating (NEMA)	4 (UL 50e) 4X (UL 50e) 12 (UL 50e)
Impact strength	IK08
Ambient temperature (operation)	-40 °C ... 100 °C

Mounting

Mounting type	Screw mounting
Assembly instructions	Coding also using the CP-HC (1686478) coding profiles. HC-B6.. / HC-B10..for two coding profiles. HC-B16.. / HC-B24..for four coding profiles. Connectors may only be operated when there is no load/the power is switched off. Can be used for solid wires and stranded wires with ferrule.

HC-EVO-B16PT-BWSC-HH-M25ELC-AL - Connector set

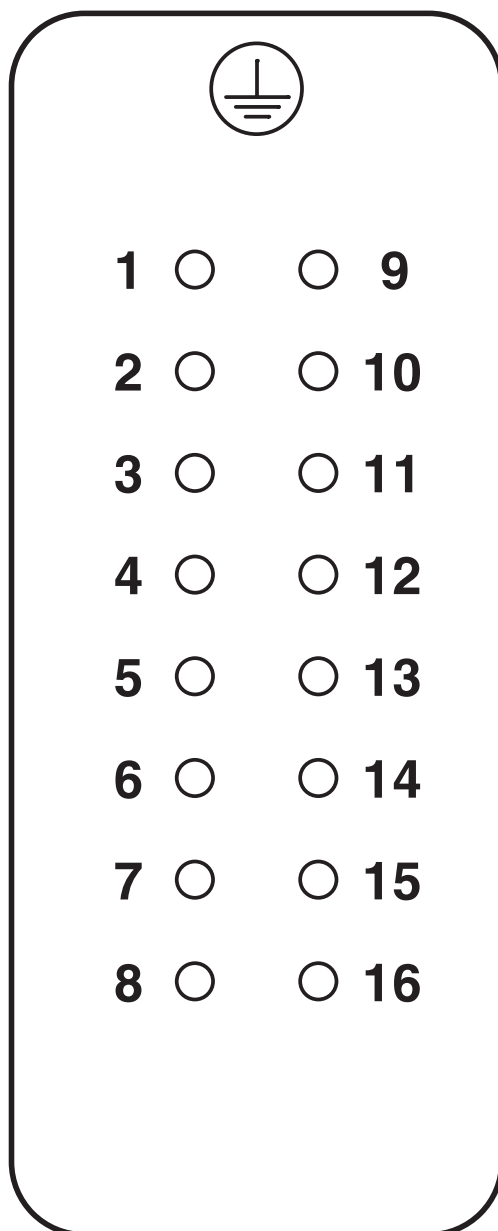


1411492

<https://www.phoenixcontact.com/us/products/1411492>

Drawings

Schematic diagram



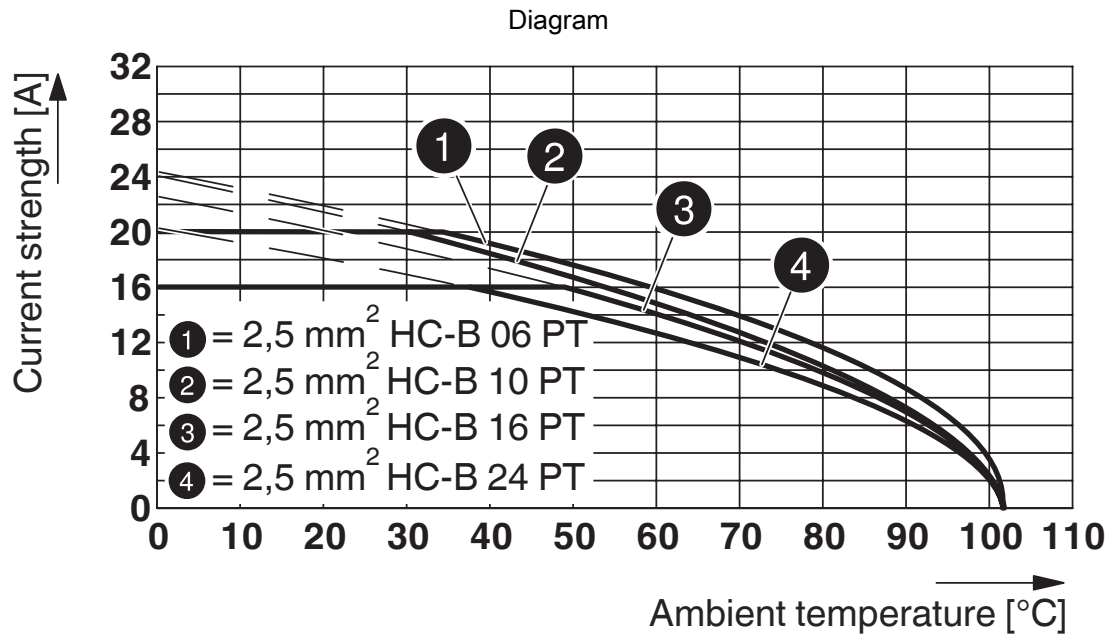
Pin assignment, connection side, socket

HC-EVO-B16PT-BWSC-HH-M25ELC-AL - Connector set

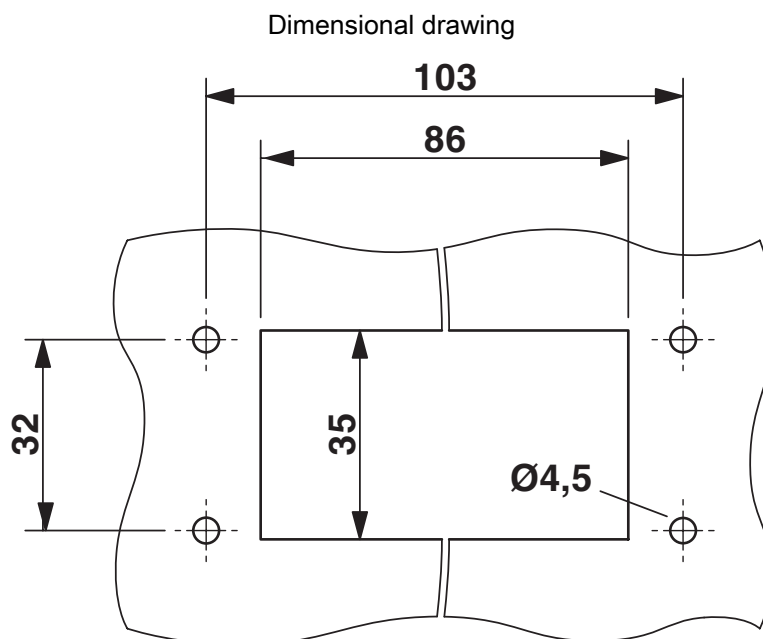


1411492

<https://www.phoenixcontact.com/us/products/1411492>



Derating diagram



Mounting cutout

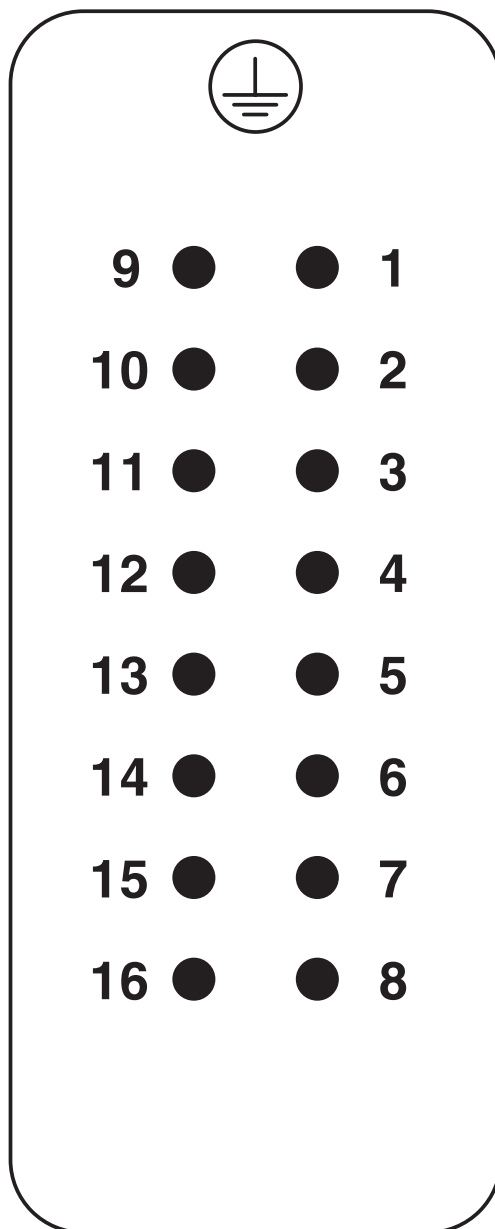
HC-EVO-B16PT-BWSC-HH-M25ELC-AL - Connector set



1411492

<https://www.phoenixcontact.com/us/products/1411492>

Schematic diagram



Pin assignment, connection side, pin

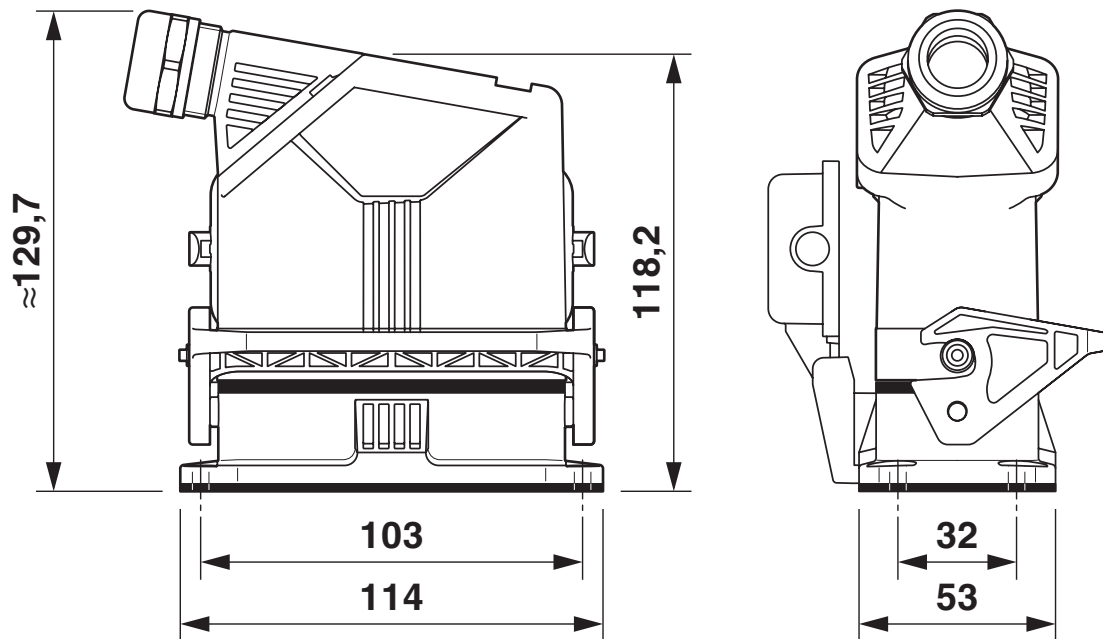
HC-EVO-B16PT-BWSC-HH-M25ELC-AL - Connector set



1411492

<https://www.phoenixcontact.com/us/products/1411492>

Dimensional drawing



Dimensional drawing

HC-EVO-B16PT-BWSC-HH-M25ELC-AL - Connector set



1411492

<https://www.phoenixcontact.com/us/products/1411492>

Approvals

🔗 To download certificates, visit the product detail page: <https://www.phoenixcontact.com/us/products/1411492>

DNV

Approval ID: TAE000037S



EAC

Approval ID: RU C-DE.BL08.B.00511

HC-EVO-B16PT-BWSC-HH-M25ELC-AL - Connector set



1411492

<https://www.phoenixcontact.com/us/products/1411492>

Classifications

ECLASS

ECLASS-11.0	27440101
ECLASS-12.0	27440113
ECLASS-13.0	27440113

ETIM

ETIM 9.0	EC002636
----------	----------

UNSPSC

UNSPSC 21.0	39121400
-------------	----------

HC-EVO-B16PT-BWSC-HH-M25ELC-AL - Connector set



1411492

<https://www.phoenixcontact.com/us/products/1411492>

Environmental product compliance

EU RoHS

Fulfills EU RoHS substance requirements	Yes
Exemption	6(c)

China RoHS

Environment friendly use period (EFUP)	EFUP-50
	An article-related China RoHS declaration table can be found in the download area for the respective article under "Manufacturer declaration". For all articles with EFUP-E, no China RoHS declaration table issued and required.

EU REACH SVHC

REACH candidate substance (CAS No.)	Lead(CAS: 7439-92-1)
SCIP	7a80f9b3-deac-469b-ac20-cf2e40cd8749

HC-EVO-B16PT-BWSC-HH-M25ELC-AL - Connector set



1411492

<https://www.phoenixcontact.com/us/products/1411492>

Accessories

HC-B10-SL-PLBK - Housing brackets

1407698

<https://www.phoenixcontact.com/us/products/1407698>

Replacement single locking latch for HEAVYCON EVO housing type B10, PA



US-EMLP-HA (20X9) - Plastic label

0830989

<https://www.phoenixcontact.com/us/products/0830989>

Plastic label, Card, white, unlabeled, can be labeled with: BLUEMARK ID COLOR, BLUEMARK ID, THERMOMARK PRIME, THERMOMARK CARD 2.0, THERMOMARK CARD, mounting type: adhesive, lettering field size: 20 x 9 mm, Number of individual labels: 70



Phoenix Contact 2024 © - all rights reserved

<https://www.phoenixcontact.com>

Phoenix Contact USA

586 Fulling Mill Road

Middletown, PA 17057, United States

(+717) 944-1300

info@phoenixcon.com