

SACC-M12MS-8CON-PG 9-SH - Connector



1511857

<https://www.phoenixcontact.com/us/products/1511857>

Please be informed that the data shown in this PDF document is generated from our online catalog. Please find the complete data in the user documentation. Our general terms of use for downloads are valid.



Connector, Universal, 8-position, shielded, Plug straight M12, coding: A, Screw connection, knurl material: Brass, nickel-plated, external cable diameter 6 mm ... 8 mm

Your advantages

- Safe use in the field, thanks to a high degree of protection
- Screw connection: proven connection technology for a large selection of different conductors
- Reliable signal transmission – 360° shielding in environments with electromagnetic interference

Commercial data

Item number	1511857
Packing unit	1 pc
Minimum order quantity	1 pc
Sales key	BF30
Product key	BF2CBA
Catalog page	Page 24 (C-2-2019)
GTIN	4017918908638
Weight per piece (including packing)	57.928 g
Weight per piece (excluding packing)	43.82 g
Customs tariff number	85366990
Country of origin	CN

SACC-M12MS-8CON-PG 9-SH - Connector

1511857

<https://www.phoenixcontact.com/us/products/1511857>

Technical data

Notes

General	NOTE: Observe the permissible bending radii when laying conductors, since the degree of protection may be put in jeopardy if the bending forces are too high. Alleviate mechanical loads upstream of the connector, e.g. by using cable ties.
---------	--

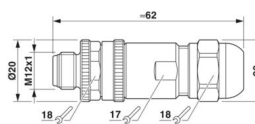
Product properties

Product type	Circular connector (cable-side)
Sensor type	Universal
Number of positions	8
No. of cable outlets	1
Shielded	yes
Coding	A

Insulation characteristics

Overvoltage category	II
Degree of pollution	3

Dimensions

Dimensional drawing	
Width	20 mm
Height	20 mm
Length	62 mm
Wrench size, union nut	18 mm
Wrench size, counter nut	17 mm

External dimensions

Outside diameter	6 mm ... 8 mm
------------------	---------------

Housing

Diameter housing	20 mm
------------------	-------

Material specifications

Flammability rating according to UL 94	HB
Seal material	Silicon
Material of grip body	Brass, nickel-plated
Contact material	CuZn
Contact surface material	Au
Contact carrier material	PA
Material for screw connection	Brass, nickel-plated

SACC-M12MS-8CON-PG 9-SH - Connector



1511857

<https://www.phoenixcontact.com/us/products/1511857>

Connection data

Conductor connection

Connection method	Screw connection
Connection cross section	0.25 mm ² ... 0.5 mm ² (without ferrule)
	0.14 mm ² ... 0.34 mm ² (with ferrule)
	0.25 mm ² ... 0.5 mm ² (solid)
Connection cross section AWG	24 ... 20 (without ferrule)
	26 ... 22 (with ferrule)
Stripping length of the individual wire	5 mm
Tightening torque	0.4 Nm (M12 knurl)
	0.2 Nm (Screw terminal blocks)
	1 Nm (Pressure nut with coupling sleeve)

Electrical properties

Rated surge voltage	0.8 kV
Contact resistance	≤ 8 mΩ
Insulation resistance	≥ 100 MΩ
Nominal voltage U _N	30 V AC
	30 V DC
Nominal current I _N	2 A

Mechanical properties

Mechanical data

Insertion/withdrawal cycles	≥ 100
-----------------------------	-------

Connector

Connection 1

Head design	Plug
Head cable outlet	straight
Head thread type	M12
Coding	A

Cable/line

Signal type/category	Universal
Stripping length of the individual wire	5 mm

Environmental and real-life conditions

Ambient conditions

Degree of protection	IP67
Ambient temperature (operation)	-40 °C ... 85 °C (Plug / socket)

Standards and regulations

SACC-M12MS-8CON-PG 9-SH - Connector



1511857

<https://www.phoenixcontact.com/us/products/1511857>

Standard designation	M12 connector
Standards/specifications	IEC 61076-2-101

SACC-M12MS-8CON-PG 9-SH - Connector

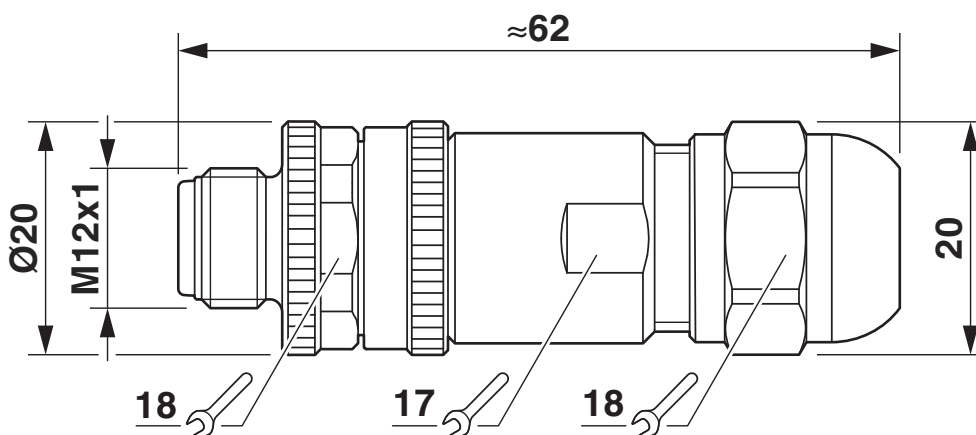


1511857

<https://www.phoenixcontact.com/us/products/1511857>

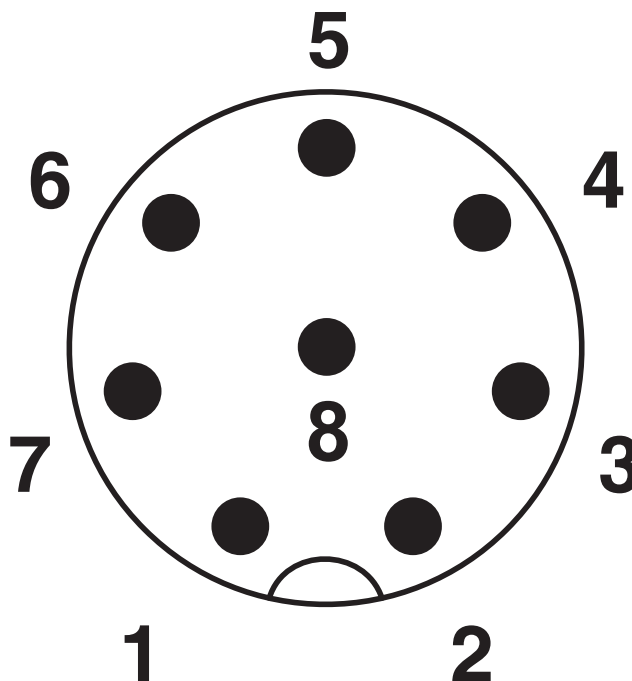
Drawings

Dimensional drawing



Plug, M12 x 1, straight, shielded

Schematic diagram



Pin assignment of M12 plug, 8-pos., A-coded, view of plug side

SACC-M12MS-8CON-PG 9-SH - Connector




1511857

<https://www.phoenixcontact.com/us/products/1511857>

Approvals

To download certificates, visit the product detail page: <https://www.phoenixcontact.com/us/products/1511857>

 cUL Recognized Approval ID: FILE E 221474				
	Nominal voltage U_N	Nominal current I_N	Cross section AWG	Cross section mm^2
	30 V	2 A	-	-

 UL Recognized Approval ID: FILE E 221474				
	Nominal voltage U_N	Nominal current I_N	Cross section AWG	Cross section mm^2
	30 V	2 A	-	-

cULus Recognized

SACC-M12MS-8CON-PG 9-SH - Connector



1511857

<https://www.phoenixcontact.com/us/products/1511857>

Classifications

ECLASS

ECLASS-11.0	27440102
ECLASS-12.0	27440116
ECLASS-13.0	27440116

ETIM

ETIM 9.0	EC002635
----------	----------

UNSPSC

UNSPSC 21.0	39121400
-------------	----------

SACC-M12MS-8CON-PG 9-SH - Connector



1511857

<https://www.phoenixcontact.com/us/products/1511857>

Environmental product compliance

REACH SVHC	Lead 7439-92-1
China RoHS	Environmentally Friendly Use Period = 50 years
	For information on hazardous substances, refer to the manufacturer's declaration available under "Downloads"

SACC-M12MS-8CON-PG 9-SH - Connector



1511857

<https://www.phoenixcontact.com/us/products/1511857>

Accessories

PROT-M12 FS-PA-CHAIN - Sealing cap

1430873

<https://www.phoenixcontact.com/us/products/1430873>

M12 sealing cap made of plastic with fixing band, for sensor cables, for free M12 plugs



VS-OE-OE-94B-100,0 - Data cable

1416567

<https://www.phoenixcontact.com/us/products/1416567>

Data cable, Ethernet CAT5 (1 Gbps), 8-position, PUR halogen-free, water blue RAL 5021, shielded (Aluminum-coated foil, tinned copper braided shield), free cable end, on free cable end, cable length: 100 m



SACC-M12MS-8CON-PG 9-SH - Connector

1511857

<https://www.phoenixcontact.com/us/products/1511857>

VS-OE-OE-94C-100,0 - Data cable

1416318

<https://www.phoenixcontact.com/us/products/1416318>



Data cable, Ethernet CAT5 (1 Gbps), 8-position, PUR halogen-free, water blue RAL 5021, shielded (Tinned copper braided shield), free cable end, on free cable end, cable length: 100 m

VS-OE-OE-94F-100,0 - Data cable

1416347

<https://www.phoenixcontact.com/us/products/1416347>



Data cable, Ethernet CAT6_A (10 Gbps), 8-position, PUR halogen-free, water blue RAL 5021, shielded (Tinned copper braided shield), free cable end, on free cable end, cable length: 100 m

SACC-M12MS-8CON-PG 9-SH - Connector



1511857

<https://www.phoenixcontact.com/us/products/1511857>

A 0,25- 5 - Ferrule

3202465

<https://www.phoenixcontact.com/us/products/3202465>



Ferrule, color: silver

TSD 04 SAC - Torque screwdriver

1208429

<https://www.phoenixcontact.com/us/products/1208429>



Torque screwdriver, with preset torque of 0.4 Nm and 4 mm hexagonal drive for M12 connectors

SACC-M12MS-8CON-PG 9-SH - Connector



1511857

<https://www.phoenixcontact.com/us/products/1511857>

SACC BIT M12-D20 - Tool

1208445

<https://www.phoenixcontact.com/us/products/1208445>

Nut for assembling M12 connectors for assembly with a knurl diameter of 20 mm, for 4 mm hexagonal drive



TSD-M 1,2NM - Torque screwdriver

1212224

<https://www.phoenixcontact.com/us/products/1212224>

Torque screw driver, accuracy as per EN ISO 6789 standard, adjustable from 0.3 - 1.2 Nm



SACC-M12MS-8CON-PG 9-SH - Connector



1511857

<https://www.phoenixcontact.com/us/products/1511857>

TSD-M SAC-BIT ADAPTER - Adapter insert

1212600

<https://www.phoenixcontact.com/us/products/1212600>



Adapter bit for TSD-M...torque tools, E6.3-1/4" drive with 4 mm hexagon to accommodate SAC bits

CRIMPFOX 6H - Crimping pliers

1212046

<https://www.phoenixcontact.com/us/products/1212046>



Crimping pliers, for ferrules without insulating collar according to DIN 46228 Part 1 and ferrules with insulating collar according to DIN 46228 Part 4, 0.14 mm² ... 6 mm², unlockable pressure lock, lateral entry

SACC-M12MS-8CON-PG 9-SH - Connector

1511857

<https://www.phoenixcontact.com/us/products/1511857>



VS-CABLE-STRIP-VARIO - Stripping tool

1657407

<https://www.phoenixcontact.com/us/products/1657407>

Stripping tool, for the multi-level stripping of shielded cables



WIREFOX SAC - Stripping tool

1212623

<https://www.phoenixcontact.com/us/products/1212623>

Stripping pliers, for halogen-free sensor/actuator cables (SAC cables), with PUR and PVC insulation, from Ø of 4.4 to 7 mm, any stripping length



SACC-M12MS-8CON-PG 9-SH - Connector



1511857

<https://www.phoenixcontact.com/us/products/1511857>

SZS 0,4X2,0 - Screwdriver

1205202

<https://www.phoenixcontact.com/us/products/1205202>



Micro screwdriver, bladed, size: 0.4 x 2.0 x 60 mm, 2-component grip, with non-slip grip and twist cap

Phoenix Contact 2024 © - all rights reserved

<https://www.phoenixcontact.com>

Phoenix Contact USA
586 Fulling Mill Road
Middletown, PA 17057, United States
(+717) 944-1300
info@phoenixcon.com