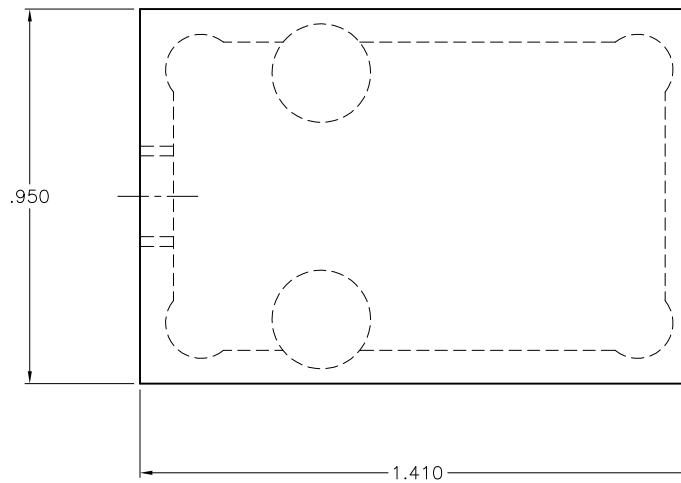
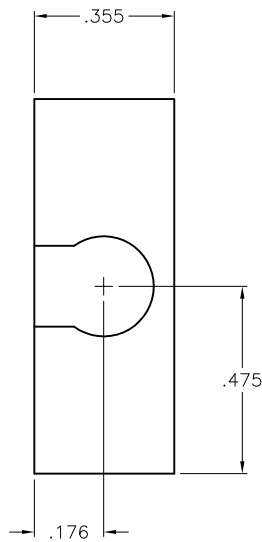


ISOMETRIC VIEW
HALF SCALE



RELATED DOCUMENTS		3RD ANGLE PROJECTION		THIS DRAWING IS CONFIDENTIAL AND THE PROPERTY OF TURCK INC. USE OF THIS DOCUMENT WITHOUT WRITTEN PERMISSION IS PROHIBITED.		TURCK INC High Technology Sensors and Automation Controls 3000 CAMPUS DRIVE MINNEAPOLIS, MN 55441 1-800-544-7769 (763) 553-7300 (763) 553-0708 fax turck.com	
1. 2. 3. 4.				DRFT	SWC	DATE	9/3/96
MATERIAL		ALL DIMENSIONS DISPLAYED ON THIS DRAWING ARE FOR REFERENCE ONLY		DSGN		SCALE	1=0.5
PTFE		CONTACT TURCK FOR MORE INFORMATION		UNIT OF MEASUREMENT		DESCRIPTION	
FINISH				INCHES		T-Q08-T-MCC	
				DO NOT SCALE THIS DRAWING		IDENTIFICATION NO.	REV
						A5155	C
C	REMOVE TRADEMARKED MATERIAL REFERENCES	CBM	11/16/12	40471	FILE: A5155		SHEET 1 OF 1
REV	DESCRIPTION	BY	DATE	ECO NO.			

C	REMOVE TRADEMARKED MATERIAL REFERENCES	CBM	11/16/12	40471
REV	DESCRIPTION	BY	DATE	ECO NO.