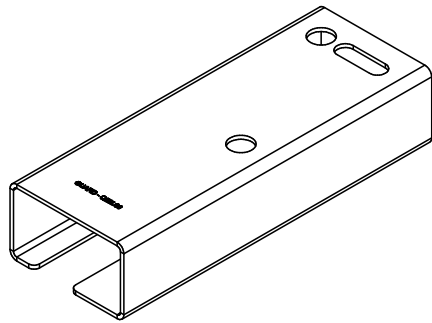
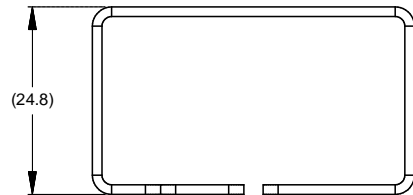
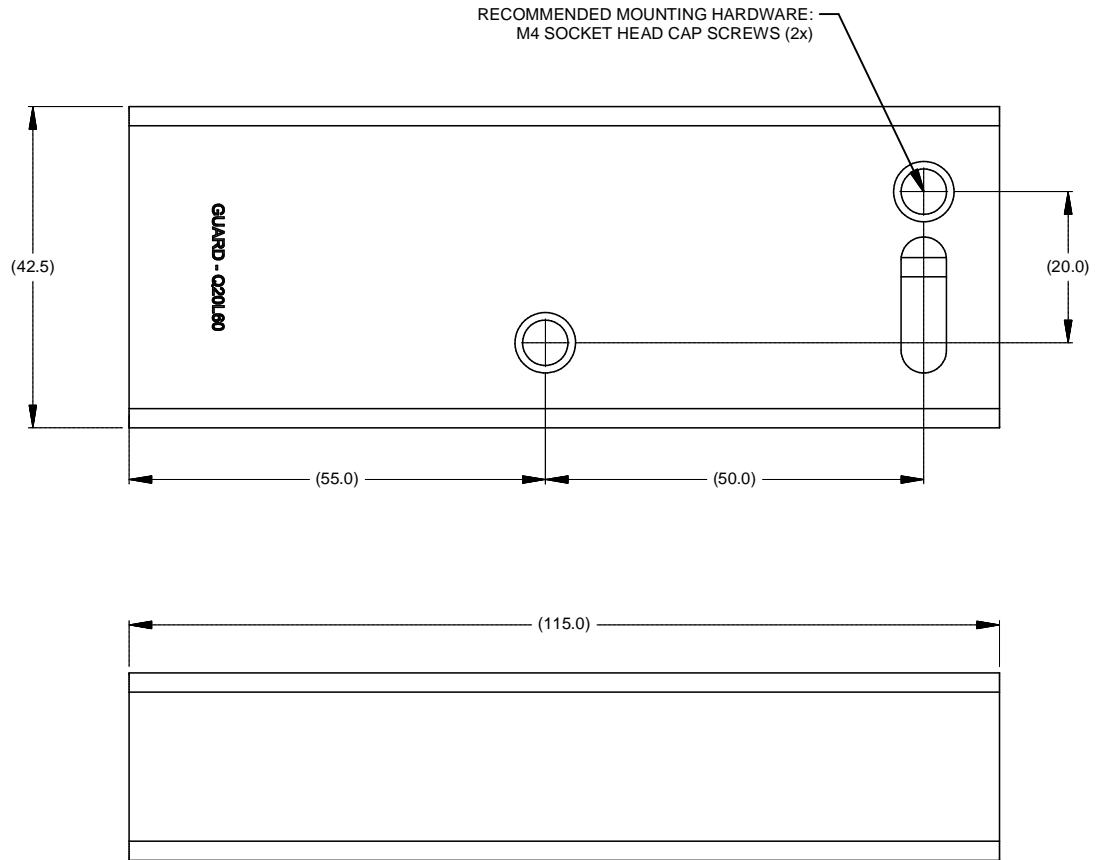


REV	ECO NO.	DESCRIPTION	DATE	DRAWN	CHECKED
B	42151	ADD LASER DETAIL TO FACE	05/08/13	RDS	*



ISO VIEW
SCALE 1/2



MATERIAL: 304 STAINLESS STEEL (AISI) 18 GAUGE	DRAWN BY TDH	DATE 4/25/2011	THIS DRAWING IS PROPERTY OF TURCK INC. USE OF THIS DOCUMENT WITHOUT WRITTEN PERMISSION IS PROHIBITED	TURCK High Technology Sensors and Automation Controls	3000 CAMPUS DRIVE MINNEAPOLIS, MN 55441 1-800-544-7769 (763) 553-7300 (763) 553-0708 FAX www.turck.com
	CHECKED BY MC	DATE 4/25/2011			
	APPROVED BY TDH	DATE 4/25/2011			
FINISH:	UNITS: MILLIMETERS 0.5 TO 6 ± 0.1 6 TO 30 ± 0.2 OVER 30 ± 0.3 ANGLES ± 1°		DESCRIPTION GUARD-Q20L60		
3RD ANGLE PROJECTION 	ALL DIMENSIONS AFTER PLATING DO NOT SCALE DRAWING		SIZE A	ID NUMBER A9684	REV B
			SCALE 1 : 1	FILE: A9684.idw	SHEET 1 OF 1