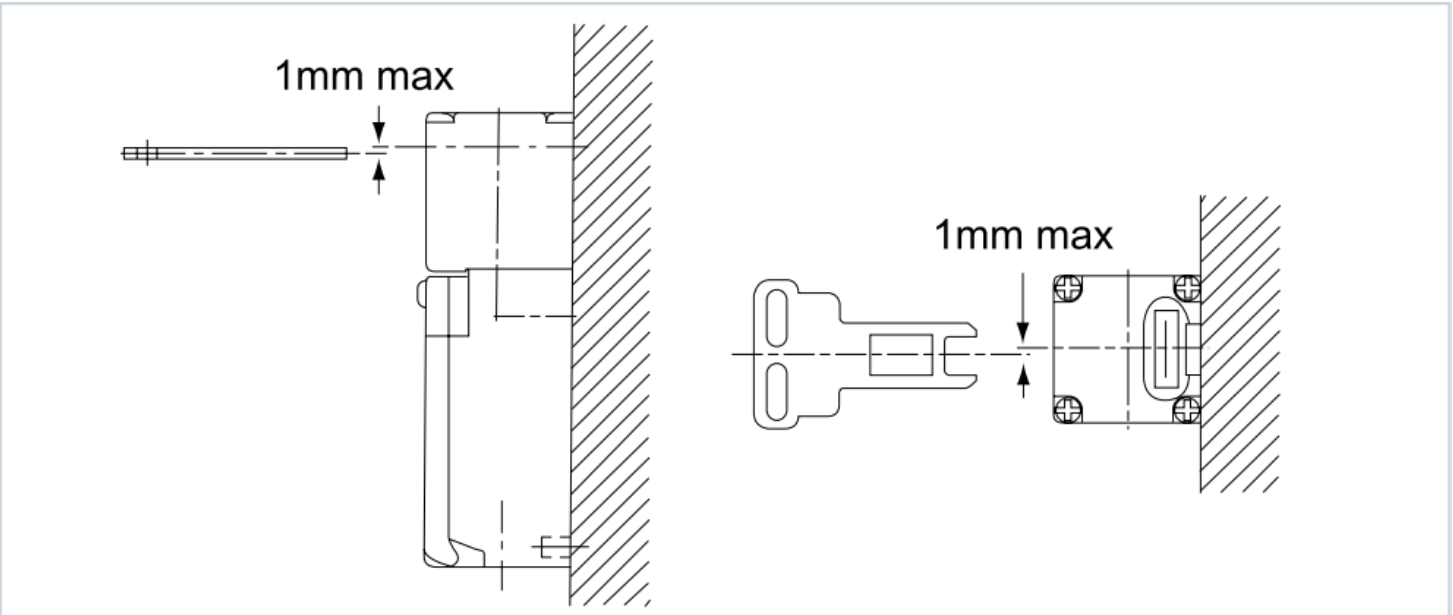


Rating	3A 240VAC (A300)
Operating speed	0.1m~0.5m/s
Operating frequency	30 operations/min
Contact resistance	25mΩ max. (initial).
Insulation resistance	100mΩ min. (at 500VDC)
Rated insulation voltage(UI)	400V
Dielectric strength	AC2500V/Umip 4KV
Vibration	10 to 55Hz, 1.5mm double amplitude
Shock	Mechanical: Approx. 1000m/s ² (Approx. 100G'S) Electrical: Approx. 300m/s ² (Approx. 30G'S)
Ambient temperature	Using: -20~+70°C (With no icing)
Ambient Humidity	< 95% RH
Electrical life	150,000 operations/min.
Protection level	IP65 (IEC Standard)

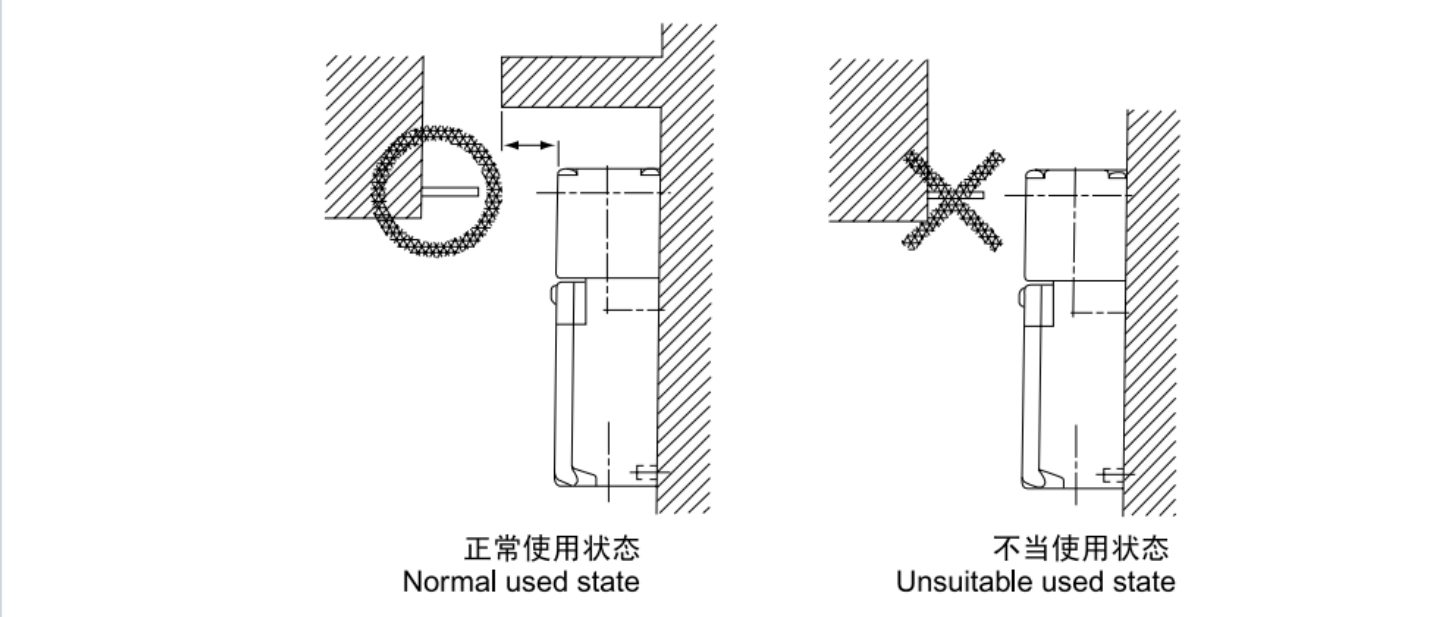
Operating Characteristics

Key plug in force	14.7N(1,500gf)
key pull out force	29.42N(3,000gf)
Pretravel	6 ±3mm
Total travel	(28mm)
Force required to have positive	58.84N(6,000gf)
Positive opening travel	10mm

Cautions



1.To prevent the wear and the space should be within 1mm between the key and middle of the insert hole.



2.When in use,there should put a plate on the top to prevent the key overinsert.To prevent nonmovement, the space between the plate and the switch should be under 3 mm.

Forced Disconnecting Mechanism