

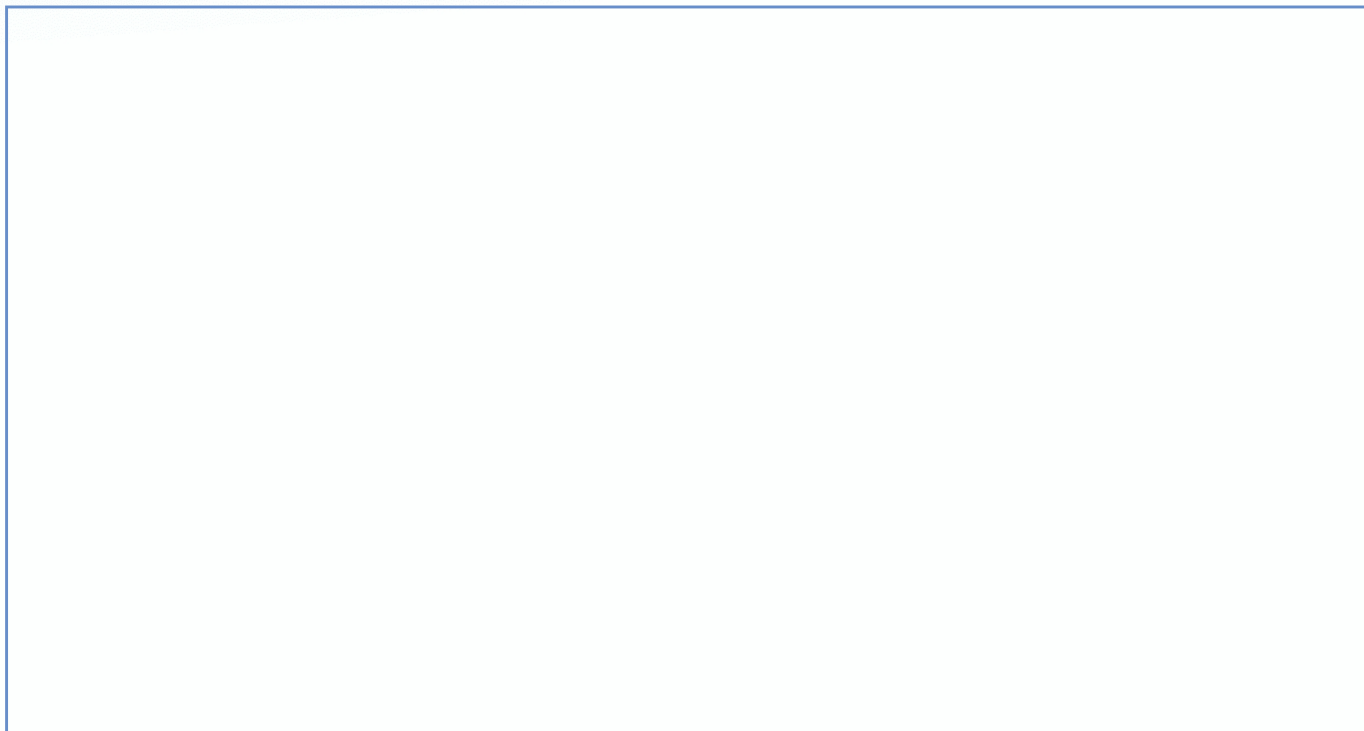
PRODUCT DESCRIPTION:

Support base

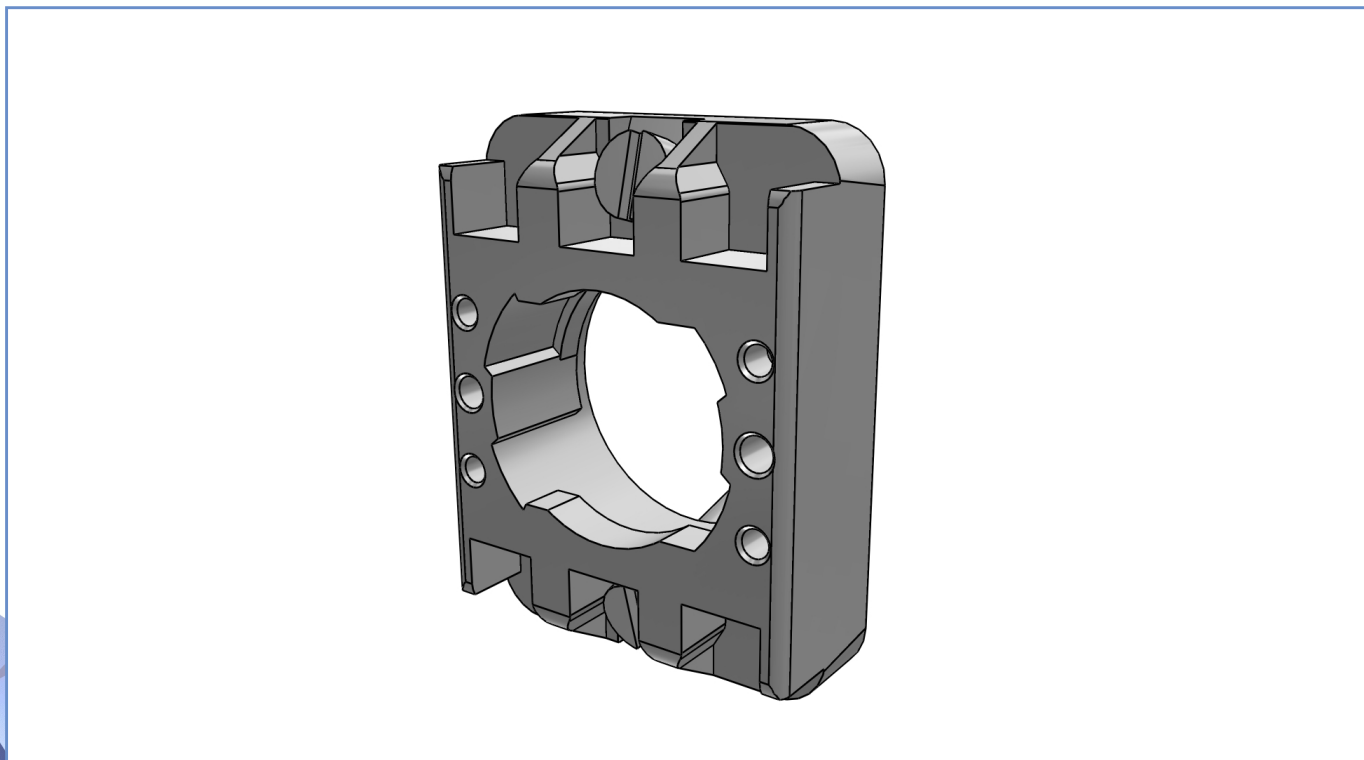
PRODUCT CODE:

ECX 3029A

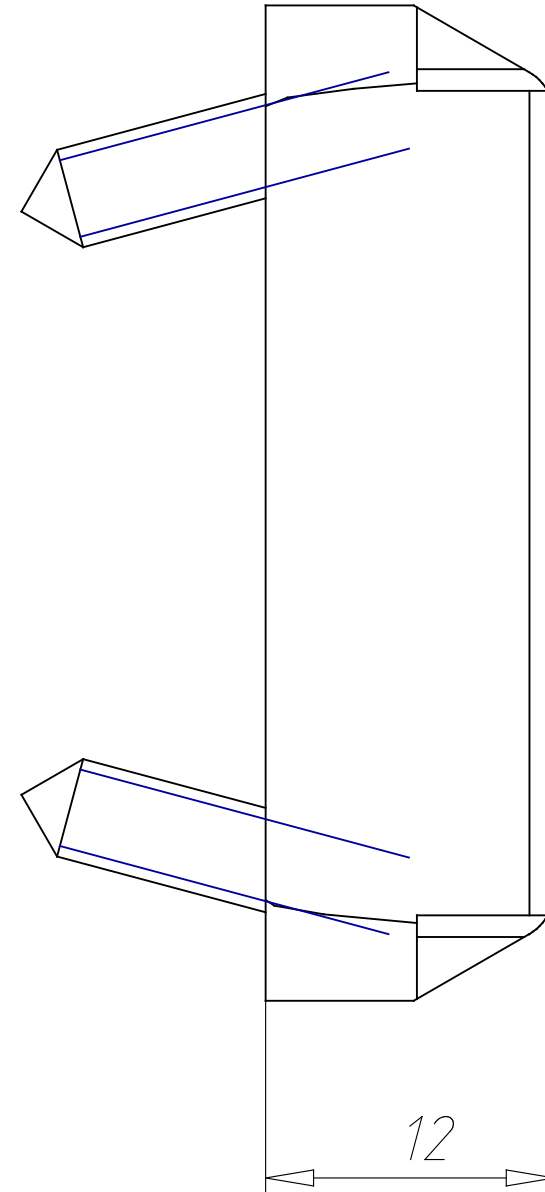
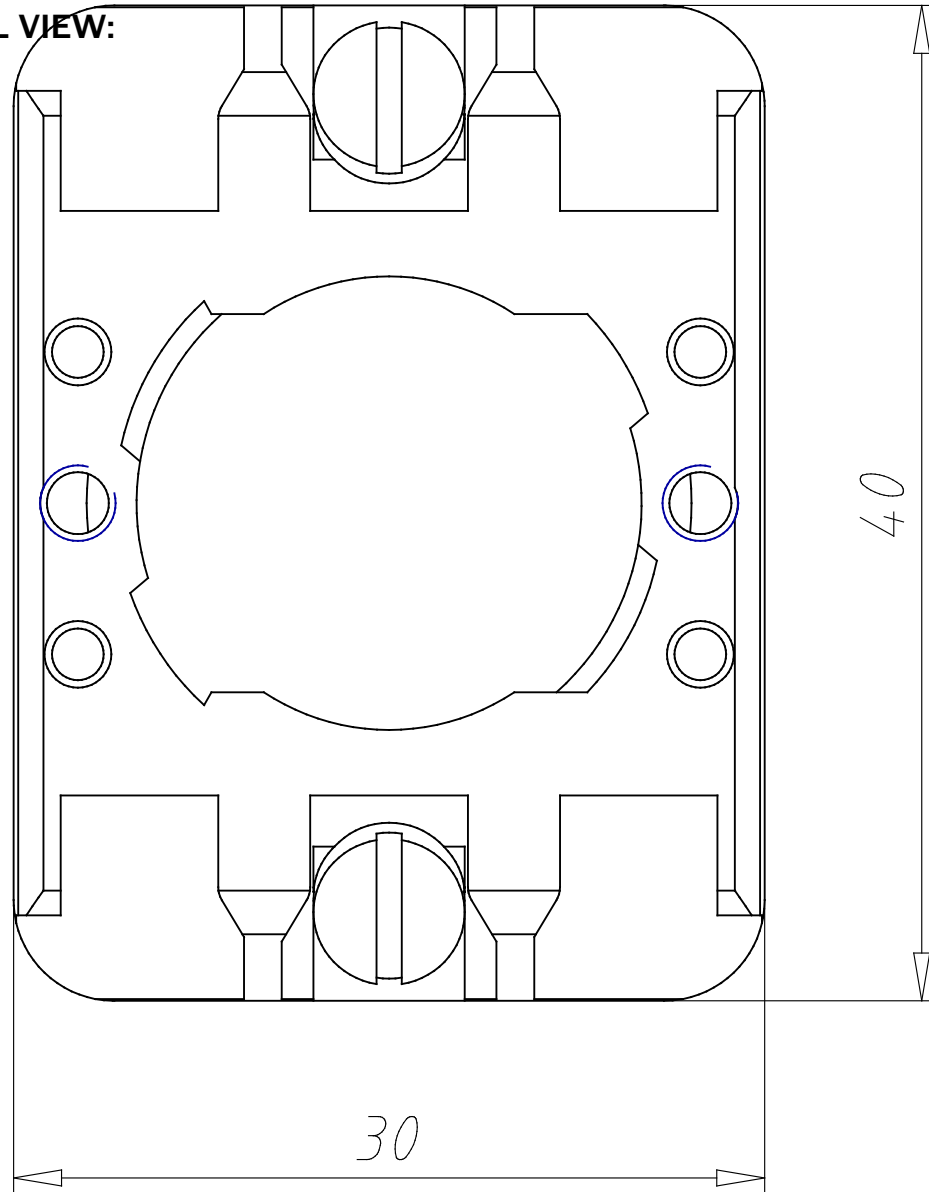
DYNAMIC 3D VIEW:



STATIC 3D VIEW:



TECHNICAL VIEW:



DETAILS:

Code	ECX 3029A
Description	Support base
Material	Reinforced plastic
Color	Grey
Fixing	Screws
Dimensions [mm]	40x30
Thickness [mm]	12
	ecx_3029a.png

PRODUCT DRAWING RELEASE:

Datasheet creation date: 05/01/2024 19:14

Last Modification (geometry): 01/07/2021 05:11

tel. +39 039 9906408
+39 039 9903468
fax +39 039 9906203Via Novarino 9/L
23899 Robbiate (LC)
ITALYwww.comepi.it
comepi@comepi.it
tecnico@comepi.it