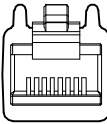
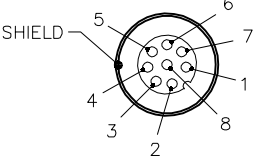
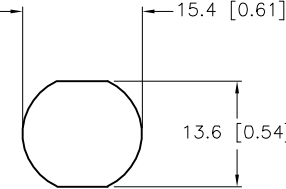
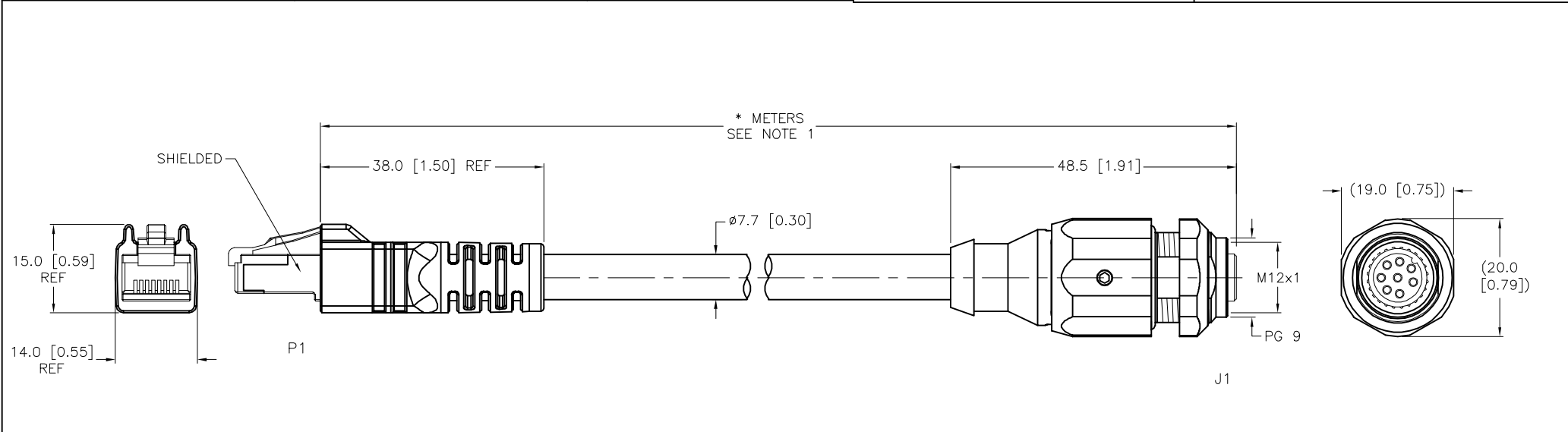


RJ45S END VIEW	FEMALE END VIEW	MOUNTING HOLE	SPECIFICATIONS	
 <p>12345678</p> <p>1 = WHITE/ORANGE (+TX) 2 = ORANGE (-TX) 3 = WHITE/GREEN (+RX) 4 = BLUE 5 = WHITE/BLUE 6 = GREEN (-RX) 7 = WHITE/BROWN 8 = BROWN</p> <p><i>Ethernet</i></p>	 <p>1 = WHITE/BLUE 2 = WHITE/BROWN 3 = BROWN 4 = ORANGE (-TX) 5 = WHITE/GREEN (+RX) 6 = WHITE/ORANGE (+TX) 7 = BLUE 8 = GREEN (-RX)</p> <p><i>Ethernet</i></p>	 <p>15.4 [0.61] 13.6 [0.54]</p>	CONTACT CARRIER MATERIAL (J1)	NYLON OR TPU
			MOLDED HEAD MATERIAL/COLOR (J1)	TPU/BLACK
			CONTACT MATERIAL/PLATING (J1)	BRASS/GOLD
			COUPLING NUT MATERIAL/PLATING (J1)	BRASS/NICKEL
			CONTACT CARRIER MATERIAL/COLOR (P1)	POLYCARBONATE/CLEAR
			MOLDED HEAD MATERIAL/COLOR (P1)	TPU/BLACK
			CONTACT MATERIAL/PLATING (P1)	BRONZE/GOLD
			RATED CURRENT [A]	1.5 A
			RATED VOLTAGE [V]	42 V
			OUTER CABLE JACKET MATERIAL/COLOR	TPE/TEAL
CONDUCTOR INSULATION MATERIAL	HDPE			
NUMBER OF CONDUCTORS [AWG]	8x24 AWG, STRANDED, CAT 5e			
SHIELDING	ALUM.-POLYESTER FOIL, TINNED COPPER BRAID			
TEMPERATURE RANGE	-40°C to +80°C (-40°F to +176°F)			
PROTECTION CLASS (J1)	MEETS IEC IP67 (RJ45:IP20)			

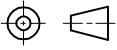


CABLE LENGTH	TOLERANCE*
ALL LENGTHS	+ 4% (OR 50mm) OF LENGTH - 0% (OR 0mm) OF LENGTH WHICHEVER IS GREATER
STRIP LENGTH	TOLERANCE*
0-7mm	±0.5mm
8-29mm	±1.0mm
30-49mm	±2.0mm
50-69mm	±3.0mm
70-100mm	±4.0mm
OVER 100mm	±5.0mm

\* UNLESS OTHERWISE SPECIFIED

SOURCE DRAWING - FOR REFERENCE ONLY

NOTES:  
1. "\*" INDICATES CABLE LENGTH IN METERS. CONTACT TURCK TO ORDER SPECIFIC LENGTHS.

RELATED DOCUMENTS	3RD ANGLE PROJECTION	THIS DRAWING IS CONFIDENTIAL AND THE PROPERTY OF TURCK INC. USE OF THIS DOCUMENT WITHOUT WRITTEN PERMISSION IS PROHIBITED.		3000 CAMPUS DRIVE MINNEAPOLIS, MN 55441 1-800-544-7769 (763) 553-7300 (763) 553-0708 fax www.turck.us	
1.		DRFT	RDS	DATE	12/02/04
2.		APVD		SCALE	1=1.0
3.	<p>ALL DIMENSIONS DISPLAYED ON THIS DRAWING ARE FOR REFERENCE ONLY</p> <p>CONTACT TURCK FOR MORE INFORMATION</p>	UNIT OF MEASUREMENT		DESCRIPTION	
4.		MILLIMETER [ INCH ]		RJ45S FKSDE 841-*M	
MATERIAL		IDENTIFICATION NO.		REV	
FINISH		DO NOT SCALE THIS DRAWING		L	
		FILE: 777006739		SHEET 1 OF 1	

L	ADDED SHIELD TIED TO HOUSING	ER	08/31/18	66544
REV	DESCRIPTION	BY	DATE	ECO NO.