

# Splitters

## Eurofast® 2-Branch Splitters, Standard and LED Wiring

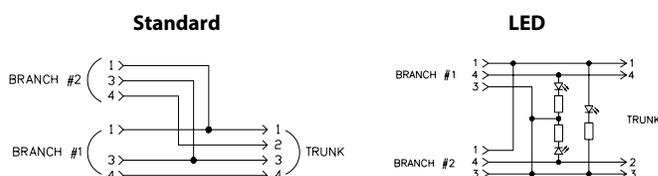
- Combine two Sensors into one Cable
- For use on Cylinders and other Dual-Input applications
- Tough TPU Construction
- For 3-wire DC Sensors or Switches



Housing	Part Number	Features	Wiring Diagram
	<b>VB2-FSM 4.4/2FKM 4</b>	250 V, 4.0 A, combine two sensors into one cable	Standard
	<b>VB2-RS 4.4T-*/2FKM 4</b>	250 V, 4.0 A, RS 4.4T = Grey PVC, 5.1 mm OD, 4x22 AWG, combine two sensors into one cable	
	<b>VB2-FSM 4.4/2RK 4T-*/**</b>	250 V, 4.0 A, Grey PVC, 5.1 mm OD, RK 4T - 3x20 AWG, combine two sensors into one cable	
	<b>VB2-RS 4.4T-*/2RK 4T-*/**</b>	250 V, 4.0 A, Grey PVC, 5.1 mm OD, RK 4T - 3x20 AWG, RS 4.4T - 4x22 AWG, combine two sensors into one cable	
	<b>VB2P3-FSM 4.4/2FKM 4</b>	10-30 VDC, 4.0 A, combine two sensors into one cable; 3 LEDs, 2 signals, PNP, 1 power	LED
	<b>VB2P3-RS 4.4T-*/2FKM 4</b>	10-30 VDC, 4.0 A, RS 4.4T = Grey PVC, 5.1 mm OD, 4x22 AWG, combine two sensors into one cable; 3 LEDs, 2 signals, PNP, 1 power	
	<b>VB2P3-FSM 4.4/2RK 4T-*/**</b>	10-30 VDC, 4.0 A, Grey PVC, 5.1 mm OD, RK 4T - 3x20 AWG, combine two sensors into one cable; 3 LEDs, 2 signals, PNP, 1 power	
	<b>VB2P3-RS 4.4T-*/2RK 4T-*/**</b>	10-30 VDC, 4.0 A, Grey PVC, 5.1 mm OD, RK 4T - 3x20 AWG, RS 4.4T - 4x22 AWG, combine two sensors into one cable; 3 LEDs, 2 signals, PNP, 1 power	

We reserve the right to make technical alterations without prior notice.

### Wiring Diagrams



## Eurofast® 2-Branch Splitters, Standard and LED Wiring

### Specifications

**Junction Body:** Oil resistant yellow TPU (non-LED)  
Translucent black TPU (LED)

**Coupling Nuts:** Nickel plated brass

**Connector:** Oil resistant TPU body material, Nylon or TPU contact carrier

**Cable:** See table

**Contacts:** Gold plated brass

**Temperature:** -40 °C to +105 °C (-40 °F to +221 °F)

**Protection:** IEC IP67

**Cable Length:** Trunk - nominal 1 meter. Branches - nominal 0.3 meters. Other lengths available by request - consult factory.

**Cable Options:** Standard cable jacket - grey PVC. TPU and other jackets available by request - consult factory.

**Connector Options:** (for legs with cable)

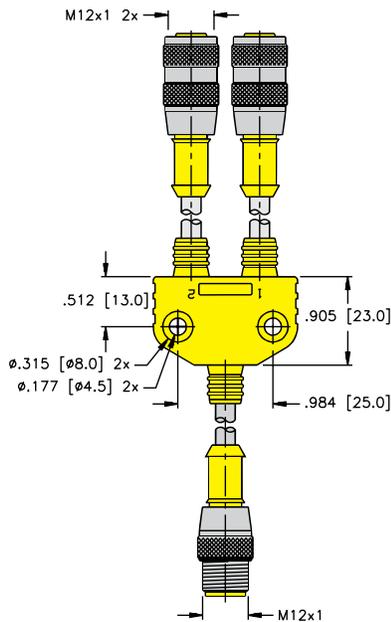
Stainless steel coupling nut add "V" to part number (RS to RSV, RK to RKV).

Nylon coupling nut add "K" to part number (RS to RSK, RK to RKK).

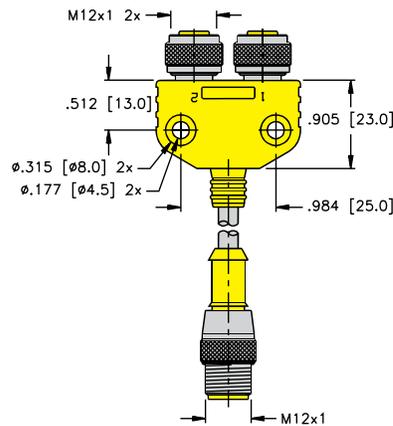
Right angle connectors, change part number (RS to WS, RK to WK).

**Notes:** Mounting hole accepts #8 screw.

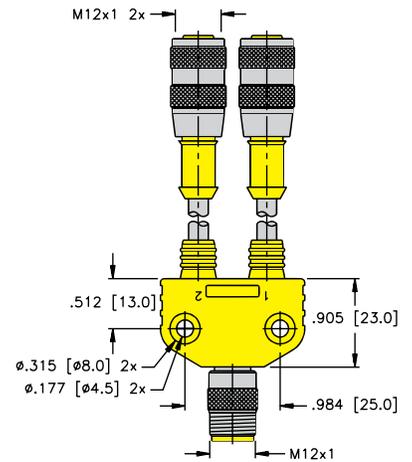
**VB2-RS 4.4T-\*/2RK 4T-\*/\***  
**VB2-PX3-RS 4.4T/2RK 4T-\*/\***



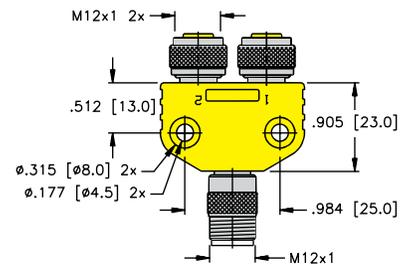
**VB2-RS 4.4T-\*/2FKM 4**  
**VB2-PX3-RS 4.4T-\*/2FKM 4**



**VB2-FSM 4.4/2RK 4T-\*/\***  
**VB2-PX3-FSM 4.4/2RK 4T-\*/\***



**VB2-FSM 4.4/2FKM 4**  
**VB2-PX3-FSM 4.4/2FKM 4**



We reserve the right to make technical alterations without prior notice.

### Pinouts

