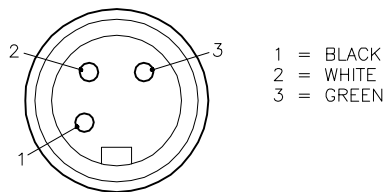
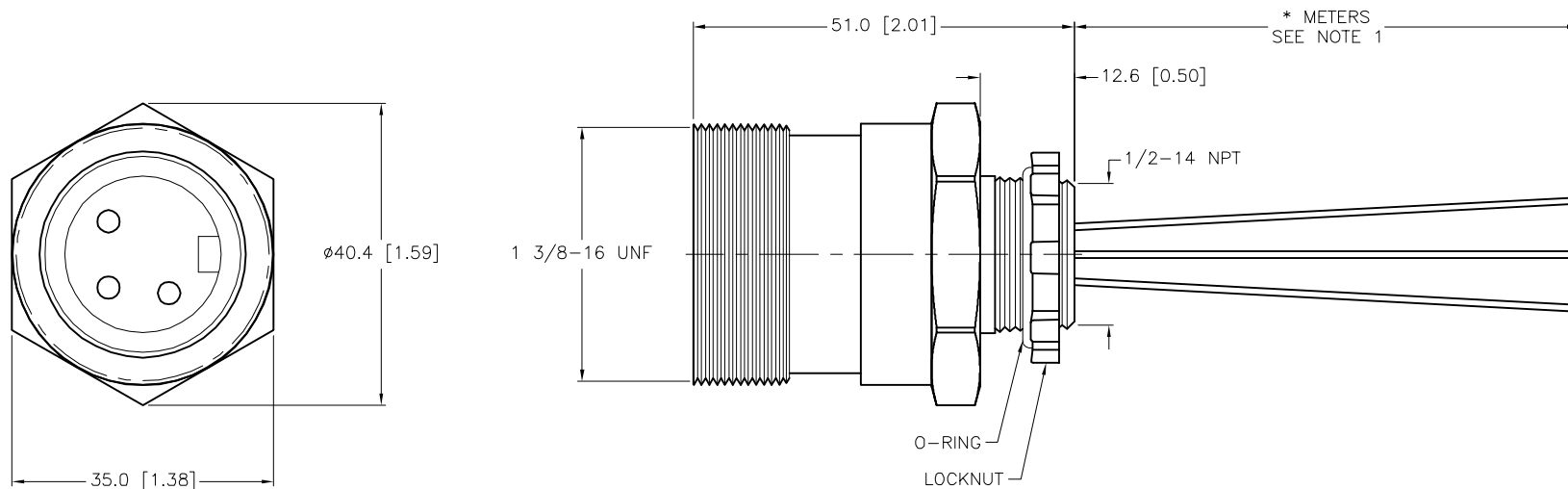


MALE END VIEW



SPECIFICATIONS

CONTACT CARRIER MATERIAL	RUBBER
CONTACT MATERIAL/PLATING	GOLD-PLATED BRASS
CONNECTOR HOUSING MATERIAL/PLATING	ALUMINUM/ANODIZED
O-RING MATERIAL	RUBBER (NBR or FPM)
RATED CURRENT [A]	25.0 A
RATED VOLTAGE [V]	600 V
CONDUCTOR INSULATION MATERIAL	XLPE
NUMBER OF CONDUCTORS [AWG]	3x12 AWG
PROTECTION CLASS	IEC IP68
TEMPERATURE RATING	-40°C TO +105°C (-40°F TO +221°F)



CABLE LENGTH	TOLERANCE*
ALL LENGTHS	+ 4% (OR 50mm) OF LENGTH - 0% (OR 0mm) OF LENGTH WHICHEVER IS GREATER
STRIP LENGTH	TOLERANCE*
0-7mm	±0.5mm
8-29mm	±1.0mm
30-49mm	±2.0mm
50-69mm	±3.0mm
70-100mm	±4.0mm
OVER 100mm	±5.0mm

\*UNLESS OTHERWISE SPECIFIED

SOURCE DRAWING - FOR REFERENCE ONLY

NOTES:

1."\*" INDICATES LEAD LENGTH IN METERS. CONTACT TURCK TO ORDER SPECIFIC LENGTHS.

RELATED DOCUMENTS	3RD ANGLE PROJECTION	THIS DRAWING IS CONFIDENTIAL AND THE PROPERTY OF TURCK INC. USE OF THIS DOCUMENT WITHOUT WRITTEN PERMISSION IS PROHIBITED.	3000 CAMPUS DRIVE MINNEAPOLIS, MN 55441 1-800-544-7769 (763) 553-7300 (763) 553-0708 fax www.turck.us	
1.		DRFT	DATE 05/27/03	DESCRIPTION GSF 32-*M/14.5/NPT
2.		JB	SCALE 1=1.0	
3.	ALL DIMENSIONS DISPLAYED ON THIS DRAWING ARE FOR REFERENCE ONLY	UNIT OF MEASUREMENT <b>MILLIMETER [ INCH ]</b>		IDENTIFICATION NO.
4.		CONTACT TURCK FOR MORE INFORMATION		REV A
MATERIAL	SEE SPECIFICATIONS	APVD	DO NOT SCALE THIS DRAWING	FILE: 777002755
FINISH	SEE SPECIFICATIONS			SHEET 1 OF 1

A	DRAWING RELEASE	KB	10/09/23	
REV	DESCRIPTION	BY	DATE	ECO NO.