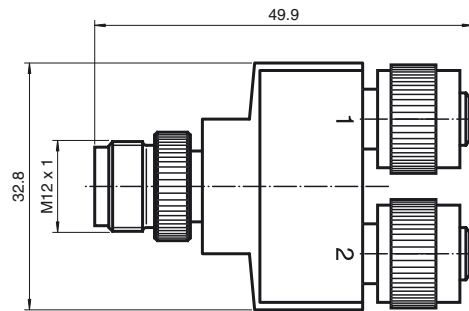




**Dimensions**



**Model Number**

**V15S-TV15**

Y distributor, M12 connector on M12 socket/socket

**Features**

- Simple assembling of 2 signals to one M12 plug-in station
- Immunity to vibration
- Suitable for normally open/closed

**Technical data**

**General specifications**

Number of pins	4 + PE (Pin 2 and 4 bridged)
Coding	A

**Electrical specifications**

Operating voltage	$U_B$	60 V
Operating current		4 A
Volume resistance		< 5 mΩ

**Ambient conditions**

Ambient temperature	-25 ... 90 °C (-13 ... 194 °F)
Pollution Degree	3

**Mechanical specifications**

Degree of protection	IP65/IP67
Connection	1 x M12 connector 1 x M12 socket / 1 x M12 socket

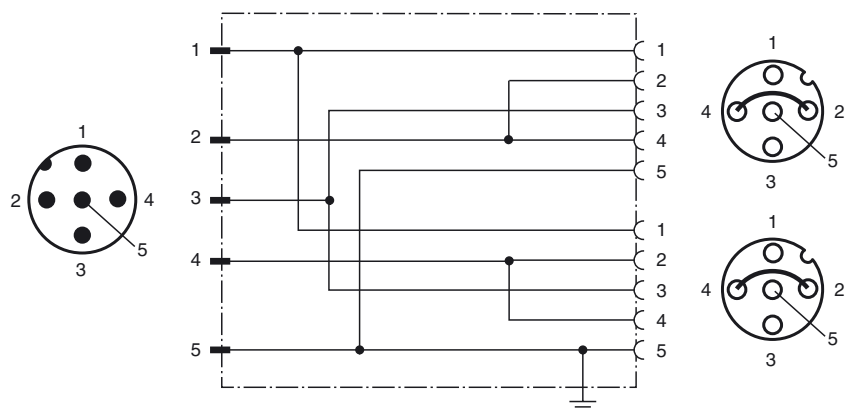
**Material**

Contacts	CuZn
Contact surface	Ni/Au
Body	TPU
Slotted nut	Zinc die-casting, nickel-plated
Flammability	UL 94 HB

**Compliance with standards and directives**

Standard conformity	
Degree of protection	EN 60529

**Electrical connection**



Release date: 2014-11-04 08:56 Date of issue: 2014-11-04 107341\_eng.xml