



df Electric



fuse links & fuse bases

NH



sdf
NH4 gG / gL
1250 A
500 V~ 120 kA
IEC/EN 60269
381535
RoHS COMPLIANT CE
Made in Spain



sdf
NH0S gG / gL
32 A
690 V~ 80 kA
IEC/EN 60269
396135
RoHS COMPLIANT CE
Made in Spain



sdf
NH00 gG / gL
160 A
500 V~ 120 kA
IEC/EN 60269
381075
RoHS COMPLIANT CE
Made in Spain

NH FUSE LINKS

PAGE **02** |

PAGE **04** |

PAGE **06** |

PAGE **08** |

PAGE **10** |

PAGE **12** |

gg 500V NH FUSE LINKS

gg 690V NH FUSE LINKS

aM 500V & 690V WITH STRIKER NH FUSE LINKS

gg 500V WITH STRIKER NH FUSE LINKS

gg 690V WITH STRIKER NH FUSE LINKS

aM 500V & 690V WITH STRIKER NH FUSE LINKS

FUSE BASES

ST 690V NH FUSE BASES

ACCESSORIES FOR NH FUSE BASES

CR 690V NH FUSE BASES

SECTIONABLE NEUTRAL NH BASES

BS FUSE SWITCH DISCONNECTORS

PAGE **14** |

PAGE **16** |

PAGE **18** |

PAGE **20** |

PAGE **21** |



df NH4
1000A 690V~
354124
Made in Spain

gG NH FUSE LINKS

500V

Knife type (NH) fuse-links gG class for general use, with top indicator. These high breaking capacity fuse-links are intended for protection of power lines and equipment, against overloads and short-circuits with rated voltages up to 500V AC (+10%). The rated breaking capacity is 120 kA. The range comprises fuse-links from size NH000 up to NH4, with rated currents from 2A up to 1250A. Compact versions in low rated currents of every size. Manufactured with ceramic body with high withstand to internal pressure and thermal shock, that allows a high breaking capacity. Knife contacts are made of silver plated copper or brass. They are manufactured according to IEC/EN60269 and VDE0636 Standards and comply with RoHS directive.

www.df-sa.es/NH/fuse-links/gG/500V/

	In (A)	REFERENCE	U (V)	BREAKING CAPACITY (kA)	PACKING Uni./BOX
NH000	2	381000	500	120	3/90
	4	381005	500	120	3/90
	6	381010	500	120	3/90
	10	381015	500	120	3/90
	16	381020	500	120	3/90
	20	381025	500	120	3/90
	25	381030	500	120	3/90
	32	381035	500	120	3/90
	35	381040	500	120	3/90
	40	381045	500	120	3/90
	50	381050	500	120	3/90
	63	381055	500	120	3/90
	80	381060	500	120	3/90
	100	381065	500	120	3/90
NH00	125	381070	500	120	3/60
	160	381075	500	120	3/60
NH0	6	381110	500	120	3/42
	10	381115	500	120	3/42
	16	381120	500	120	3/42
	20	381125	500	120	3/42
	25	381130	500	120	3/42
	32	381135	500	120	3/42
	35	381140	500	120	3/42
	40	381145	500	120	3/42
	50	381150	500	120	3/42
	63	381155	500	120	3/42
	80	381160	500	120	3/42
	100	381165	500	120	3/42
	125	381170	500	120	3/42
	160	381175	500	120	3/42
NH0 S	200	381180	500	120	3/30
	224	381185	500	120	3/30
	250	381190	500	120	3/30



381065



381075



381175



381190

STANDARDS IEC 60269-1 IEC 60269-2 EN 60269-1 EN 60269-2 DIN 43620	APPROVALS
--	---------------

TECHNICAL DIMENSIONS	PAGE 23
-------------------------	----------------

TECHNICAL DC APPLICATIONS FOR gG NH FUSE LINKS	PAGE 24
--	----------------

TECHNICAL I-t AND CUT-OFF CHARACTERISTICS	PAGE 26
---	----------------

TECHNICAL I²t CHARACTERISTICS AND POWER DISSIPATION	PAGE 27
--	----------------

COMPATIBLE ST 690V NH FUSE BASES	PAGE 14
--	----------------

COMPATIBLE CR 690V NH FUSE BASES	PAGE 18
--	----------------

COMPATIBLE BS FUSE SWITCH DISCONNECTORS	PAGE 21
---	----------------

gG NH FUSE LINKS

500V

NHC1

I_n (A)	REFERENCE	U (V)	BREAKING CAPACITY (kA)	PACKING Uni./BOX
50	381230	500	120	3/30
63	381235	500	120	3/30
80	381240	500	120	3/30
100	381245	500	120	3/30
125	381250	500	120	3/30
160	381255	500	120	3/30

NH1

200	381260	500	120	3/30
224	381265	500	120	3/30
250	381270	500	120	3/30
315*	381280	500	120	3/30
355*	381285	500	120	3/30

NHC2

63	381325	500	120	3/24
80	381330	500	120	3/24
100	381335	500	120	3/24
125	381340	500	120	3/24
160	381345	500	120	3/24
200	381350	500	120	3/24
224	381355	500	120	3/24
250	381360	500	120	3/24

NH2

315	381370	500	120	3/18
355	381375	500	120	3/18
400	381380	500	120	3/18
425*	381385	500	120	3/18
500*	381390	500	120	3/18

NHC3

250	381435	500	120	3/18
315	381445	500	120	3/18
355	381450	500	120	3/18
400	381455	500	120	3/18

NH3

425	381460	500	120	3/18
500	381465	500	120	3/18
630	381470	500	120	3/18
800*	381475	500	120	3/18

NH4

315	381505	500	120	1/6
400	381510	500	120	1/6
500	381515	500	120	1/6
630	381520	500	120	1/6
800	381525	500	120	1/6
900	381527	500	120	1/6
1000	381530	500	120	1/6
1250*	381535	500	120	1/6

* OVERRATING FUSE LINKS



381255



381285



381360



381390



381455



381470



381535

gG NH FUSE LINKS

690V

Knife type (NH) fuse-links gG class for general use, with top indicator. These high breaking capacity fuse-links are intended for protection of power lines and equipment, against overloads and short-circuits with rated voltages up to 690V AC (+5%). The rated breaking capacity is 80 kA. The range comprises fuse-links from size NH000 up to NH4, with rated currents from 2A up to 800A. Compact versions in low rated currents of every size. Manufactured with ceramic body with high withstand to internal pressure and thermal shock, that allows a high breaking capacity. Knife contacts are made of silver plated copper or brass. They are manufactured according to IEC/EN60269 and VDE0636 Standards and comply with RoHS directive.

www.df-sa.es/NH/fuse_links/gG/690V/

NH000

I _n (A)	REFERENCE	U (V)	BREAKING CAPACITY (kA)	PACKING Uni./BOX
2	382000	690	80	3/90
4	382005	690	80	3/90
6	382010	690	80	3/90
10	382015	690	80	3/90
16	382020	690	80	3/90
20	382025	690	80	3/90
25	382030	690	80	3/90
32	382035	690	80	3/90
35	382040	690	80	3/90
40	382045	690	80	3/90



382045

NH00

50	382050	690	80	3/60
63	382055	690	80	3/60
80	382060	690	80	3/60
100	382065	690	80	3/60



382065

NH0

6	382110	690	80	3/42
10	382115	690	80	3/42
16	382120	690	80	3/42
20	382125	690	80	3/42
25	382130	690	80	3/42
32	382135	690	80	3/42
35	382140	690	80	3/42
40	382145	690	80	3/42
50	382150	690	80	3/42
63	382155	690	80	3/42
80	382160	690	80	3/42
100	382165	690	80	3/42



382145

STANDARDS IEC 60269-1 IEC 60269-2 EN 60269-1 EN 60269-2 DIN 43620	APPROVALS RoHS compliant REACH SVHC
--	---

TECHNICAL DIMENSIONS PAGE 23	TECHNICAL DC APPLICATIONS FOR gG NH FUSE LINKS PAGE 24	TECHNICAL I-t AND CUT-OFF CHARACTERISTICS PAGE 28	TECHNICAL I ² t CHARACTERISTICS AND POWER DISSIPATION PAGE 29
------------------------------------	---	--	--

COMPATIBLE ST 690V NH FUSE BASES PAGE 14	COMPATIBLE CR 690V NH FUSE BASES PAGE 18	COMPATIBLE BS FUSE SWITCH DISCONNECTORS PAGE 21
---	---	--

gG NH FUSE LINKS

690V

	I_n (A)	REFERENCE	U (V)	BREAKING CAPACITY (kA)	PACKING Uni./BOX
NHC1	50	382230	690	80	3/30
	63	382235	690	80	3/30
	80	382240	690	80	3/30
	100	382245	690	80	3/30
NH1	125	382250	690	80	3/30
	160	382255	690	80	3/30
	200	382260	690	80	3/30
NHC2	63	382325	690	80	3/24
	80	382330	690	80	3/24
	100	382335	690	80	3/24
	125	382340	690	80	3/24
	160	382345	690	80	3/24
	200	382350	690	80	3/24
NH2	224	382355	690	80	3/18
	250	382360	690	80	3/18
	315	382370	690	80	3/18
NHC3	250	382435	690	80	3/18
	315	382445	690	80	3/18
NH3	355	382450	690	80	3/18
	400	382455	690	80	3/18
	425	382460	690	80	3/18
	500	382465	690	80	3/18
NH4	400	382510	690	80	1/6
	500	382515	690	80	1/6
	630	382520	690	80	1/6
	800	382525	690	80	1/6



382245



382260



382325



382370



382445



382465



382525

aM NH FUSE LINKS

500V
690V

Knife type (NH) fuse-links aM class for motor protection, with top indicator. These high breaking capacity fuse-links are intended for short circuit protection in motors, transformer and other load with high inrush currents, with rated voltages up to 500V AC (+10%) and 690V AC (+5%). The rated breaking capacity is 80 kA at 690V or 120 kA at 500V. Excellent protection of switchgear (contactor, thermal switch) due to the good current limiting capability and low I^2t values. These fuse links must be associated to an overload device protection (thermal switch). The range comprises fuse-links from size NH000 up to NH4, with rated currents from 6A up to 1250A. Compact versions in low rated currents of every size. Manufactured with ceramic body with high withstand to internal pressure and thermal shock, that allows a high breaking capacity. Melting elements are silver plated in order to avoid the aging and thus keep unalterable the electric characteristics. Knife contacts are made of silver plated copper or brass. They are manufactured according to IEC/EN60269 and VDE0636 Standards and comply with RoHS directive.

www.df-sa.es/NH/fuse-links/aM/

	I_n (A)	REFERENCE	U (V)	BREAKING CAPACITY (kA)	PACKING Uni./BOX
NH000	6	384010	690	80	3/90
	10	384015	690	80	3/90
	16	384020	690	80	3/90
	20	384025	690	80	3/90
	25	384030	690	80	3/90
	32	384035	690	80	3/90
	35	384040	690	80	3/90
	40	384045	690	80	3/90



NH00	50	384050	690	80	3/60
	63	384055	690	80	3/60
	80	384060	690	80	3/60
	100	384065	690	80	3/60
	125	383070	500	120	3/60
	160	383075	500	120	3/60



NH0	6	384110	690	80	3/42
	10	384115	690	80	3/42
	16	384120	690	80	3/42
	20	384125	690	80	3/42
	25	384130	690	80	3/42
	32	384135	690	80	3/42
	35	384140	690	80	3/42
	40	384145	690	80	3/42
	50	384150	690	80	3/42
	63	384155	690	80	3/42
	80	384160	690	80	3/42
	100	384165	690	80	3/42
	125	383170	500	120	3/42
	160	383175	500	120	3/42



NH0 S	125	384170	690	80	3/30
	160	384175	690	80	3/30
	200	383180	500	120	3/30



STANDARDS	APPROVALS
IEC 60269-1 IEC 60269-2 EN 60269-1 EN 60269-2 DIN 43620	RoHS compliant REACH SVHC

TECHNICAL DIMENSIONS	TECHNICAL I-t AND CUT-OFF CHARACTERISTICS	TECHNICAL I ² t CHARACTERISTICS AND POWER DISSIPATION
PAGE 23	PAGE 30	PAGE 31

COMPATIBLE ST 690V NH FUSE BASES	COMPATIBLE CR 690V NH FUSE BASES	COMPATIBLE BS FUSE SWITCH DISCONNECTORS
PAGE 14	PAGE 18	PAGE 21

aM NH FUSE LINKS

500V
690V

	I_n (A)	REFERENCE	U (V)	BREAKING CAPACITY (kA)	PACKING Uni./BOX
NHC1	63	384235	690	80	3/30
	80	384240	690	80	3/30
	100	384245	690	80	3/30

NH1	125	384250	690	80	3/30
	160	384255	690	80	3/30
	200	384260	690	80	3/30
	224	383265	500	120	3/30
	250	383270	500	120	3/30

NHC2	125	384340	690	80	3/24
	160	384345	690	80	3/24
	200	384350	690	80	3/24

NH2	224	384355	690	80	3/18
	250	384360	690	80	3/18
	315	384370	690	80	3/18
	355	384375	690	80	3/18
	400	383380	500	120	3/18

NHC3	315	384445	690	80	3/18
	355	384450	690	80	3/18

NH3	400	384455	690	80	3/18
	425	384460	690	80	3/18
	500	384465	690	80	3/18
	630	383470	500	120	3/18

NH4	400	384510	690	80	1/6
	500	384515	690	80	1/6
	630	384520	690	80	1/6
	800	384525	690	80	1/6
	315	383505	500	120	1/6
	400	383510	500	120	1/6
	500	383515	500	120	1/6
	630	383520	500	120	1/6
	800	383525	500	120	1/6
	1000	383530	500	120	1/6
	1250	383535	500	120	1/6



384245



384260



384350



384375



384450



384465



384525

gG WITH STRIKER NH FUSE LINKS

500V

Knife type (NH) fuse-links gG class for general use, with striker. Intended to be used with microswitch fuse bases. These high breaking capacity fuse-links are intended for protection of power lines and equipment, against overloads and short-circuits with rated voltages up to 500V AC(+10%). The rated breaking capacities are 120kA. The range comprises fuse-links from size NHO up to NH4, with rated currents from 32A up to 1250A. Manufactured with ceramic body with high withstand to internal pressure and thermal shock, that allows a high breaking capacity. Knife contacts are made of silver plated copper or brass. They are manufactured according to IEC/EN60269 and VDE0636 Standards and comply with RoHS directive.

[www.df-sa.es/NH/fuse links/gG/striker/](http://www.df-sa.es/NH/fuse%20links/gG/striker/)

NHO S

I _n (A)	REFERENCE	U (V)	BREAKING CAPACITY (kA)	PACKING Uni./BOX
32	395135	500	120	3/30
35	395140	500	120	3/30
40	395145	500	120	3/30
50	395150	500	120	3/30
63	395155	500	120	3/30
80	395160	500	120	3/30
100	395165	500	120	3/30
125	395170	500	120	3/30
160	395175	500	120	3/30
200*	395180	500	120	3/30

* OVERRATING FUSE LINKS



395180

NH1

63	395235	500	120	3/30
80	395240	500	120	3/30
100	395245	500	120	3/30
125	395250	500	120	3/30
160	395255	500	120	3/30
200	395260	500	120	3/30
250	395270	500	120	3/30
315*	395280	500	120	3/30
355*	395285	500	120	3/30

* OVERRATING FUSE LINKS



395270

STANDARDS	APPROVALS
IEC 60269-1 IEC 60269-2 EN 60269-1 EN 60269-2 DIN 43620	RoHS compliant

TECHNICAL DIMENSIONS	TECHNICAL DC APPLICATIONS FOR gG NH FUSE LINKS	TECHNICAL I-t AND CUT-OFF CHARACTERISTICS	TECHNICAL I ² t CHARACTERISTICS AND POWER DISSIPATION
PAGE 24	PAGE 24	PAGE 32	PAGE 33

COMPATIBLE ST 690V NH FUSE BASES	COMPATIBLE CR 690V NH FUSE BASES	COMPATIBLE BS FUSE SWITCH DISCONNECTORS
PAGE 14	PAGE 18	PAGE 21

gG WITH STRIKER NH FUSE LINKS

500V

NH2

I_n (A)	REFERENCE	U (V)	BREAKING CAPACITY (kA)	PACKING Uni./BOX
125	395340	500	120	3/18
160	395345	500	120	3/18
200	395350	500	120	3/18
224	395355	500	120	3/18
250	395360	500	120	3/18
315	395370	500	120	3/18
355	395375	500	120	3/18
400	395380	500	120	3/18
425*	395385	500	120	3/18
500*	395390	500	120	3/18

* OVERRATING FUSE LINKS



395380

NH3

315	395445	500	120	3/18
355	395450	500	120	3/18
400	395455	500	120	3/18
425	395460	500	120	3/18
500	395465	500	120	3/18
630	395470	500	120	3/18



395470

NH4

315	395505	500	120	1/6
400	395510	500	120	1/6
500	395515	500	120	1/6
630	395520	500	120	1/6
800	395525	500	120	1/6
1000	395530	500	120	1/6
1250*	395535	500	120	1/6

* OVERRATING FUSE LINKS



395530

gG WITH STRIKER NH FUSE LINKS

690V

Knife type (NH) fuse-links gG class for general use, with striker. Intended to be used with microswitch fuse bases. These high breaking capacity fuse-links are intended for protection of power lines and equipment, against overloads and short-circuits with rated voltages up to 690V AC(+5%). The rated breaking capacities are 80 kA. The range comprises fuse-links from size NH0 up to NH4, with rated currents from 32A up to 800A. Manufactured with ceramic body with high withstand to internal pressure and thermal shock, that allows a high breaking capacity. Knife contacts are made of silver plated copper or brass. They are manufactured according to IEC/EN60269 and VDE0636 Standards and comply with RoHS directive.

[www.df-sa.es/NH/fuse links/gG/striker/](http://www.df-sa.es/NH/fuse%20links/gG/striker/)

NH0 S

In (A)	REFERENCE	U (V)	BREAKING CAPACITY (kA)	PACKING Uni./BOX
32	396135	690	80	3/30
35	396140	690	80	3/30
40	396145	690	80	3/30
50	396150	690	80	3/30
63	396155	690	80	3/30
80	396160	690	80	3/30
100	396165	690	80	3/30



396165

NH1

63	396235	690	80	3/30
80	396240	690	80	3/30
100	396245	690	80	3/30
125	396250	690	80	3/30
160	396255	690	80	3/30
200	396260	690	80	3/30



396260

STANDARDS

IEC 60269-1
IEC 60269-2
EN 60269-1
EN 60269-2
DIN 43620

APPROVALS



TECHNICAL

DIMENSIONS

PAGE 24

TECHNICAL

DC APPLICATIONS FOR
gG NH FUSE LINKS

PAGE 24

TECHNICAL

t-I AND CUT-OFF
CHARACTERISTICS

PAGE 34

TECHNICAL

I²t CHARACTERISTICS
AND POWER
DISSIPATION

PAGE 35

COMPATIBLE

ST 690V
NH FUSE BASES

PAGE 14

COMPATIBLE

CR 690V
NH FUSE BASES

PAGE 18

COMPATIBLE

BS FUSE SWITCH
DISCONNECTORS

PAGE 21

gG WITH STRIKER NH FUSE LINKS

690V

NH2

I_n (A)	REFERENCE	U (V)	BREAKING CAPACITY (kA)	PACKING Uni./BOX
125	396340	690	80	3/18
160	396345	690	80	3/18
200	396350	690	80	3/18
224	396355	690	80	3/18
250	396360	690	80	3/18
315	396370	690	80	3/18



NH3

315	396445	690	80	3/18
355	396450	690	80	3/18
400	396455	690	80	3/18
425	396460	690	80	3/18
500	396465	690	80	3/18



NH4

400	396510	690	80	1/6
500	396515	690	80	1/6
630	396520	690	80	1/6
800	396525	690	80	1/6



aM WITH STRIKER NH FUSE LINKS

500V
690V

Knife type (NH) fuse-links, aM class for motor protection, with striker. Intended to be used with microswitch fuse bases. These high breaking capacity fuse-links are intended for short circuit protection in motors, transformer and other load with high inrush currents, with rated voltages of 500V AC (+10%) or 690V AC (+5%). The rated breaking capacity is 80 kA at 690V or 120 kA at 500V. Excellent protection of switchgear (contactor, thermal switch) due to the good current limiting capability and low I^2t values. These fuse links must be associated to an overload device protection (thermal switch). The range comprises fuse-links from size NH0 up to NH4, with rated currents from 32A up to 1250A. Manufactured with ceramic body with high withstand to internal pressure and thermal shock, that allows a high breaking capacity. Melting elements are silver plated in order to avoid the aging and thus keep unalterable the electric characteristics. Knife contacts are made of silver plated copper or brass. They are manufactured according to IEC/EN60269 and VDE0636 Standards and comply with RoHS directive.

[www.df-sa.es/NH/fuse links/aM/striker/](http://www.df-sa.es/NH/fuse%20links/aM/striker/)

NH0 S

I_n (A)	REFERENCE	U (V)	BREAKING CAPACITY (kA)	PACKING Uni./BOX
32	398135	690	80	3/30
35	398140	690	80	3/30
40	398145	690	80	3/30
50	398150	690	80	3/30
63	398155	690	80	3/30
80	398160	690	80	3/30
100	398165	690	80	3/30
125	398170	690	80	3/30
160	398175	690	80	3/30
200	397180	500	120	3/30



NH1

80	398240	690	80	3/30
100	398245	690	80	3/30
125	398250	690	80	3/30
160	398255	690	80	3/30
200	398260	690	80	3/30
250	397270	500	120	3/30



aM WITH STRIKER NH FUSE LINKS

500V
690V

NH2

I_n (A)	REFERENCE	U (V)	BREAKING CAPACITY (kA)	PACKING Uni./BOX
125	398340	690	80	3/18
160	398345	690	80	3/18
200	398350	690	80	3/18
250	398360	690	80	3/18
315	398370	690	80	3/18
355	398375	690	80	3/18
400	397380	500	120	3/18



397380

NH3

400	398455	690	80	3/18
425	398460	690	80	3/18
500	398465	690	80	3/18
630	397470	500	120	3/18



398465

NH4

400	398510	690	80	1/6
500	398515	690	80	1/6
630	398520	690	80	1/6
800	398525	690	80	1/6
315	397505	500	120	1/6
400	397510	500	120	1/6
500	397515	500	120	1/6
630	397520	500	120	1/6
800	397525	500	120	1/6
1000	397530	500	120	1/6
1250	397535	500	120	1/6



398525

ST NH FUSE BASES

690V

Fuse bases for NH fuse links. For mounting on DIN/EN rail or with screw fixing. Single-phase or three-pole type. Connection by screws, fixed nut or clamps. Wide range of accessories (contact covers, fuse link covers, partition walls) that enables IP20 protection index. Multi-pole units can be made with connection accessories. NH ST fuse bases are made of self-extinguishable materials and have silver plated copper contacts. There are two contact styles, one of them with double spring in order to obtain an optimum operation. Manufactured according IEC, EN and DIN standards.

www.df-sa.es/NH/fusebases/ST/

NH00
160A

SINGLE
POLE

DESCRIPTION	REFERENCE	U (V AC)	PACKING Uni./BOX
SCREW FIXING			
SCREW CONNECTION	354100	690	3/54
CLAMP CONNECTION	354105	690	3/54
CLAMP-SCREW CONNECTION	354110	690	3
FIXED SCREW CONNECTION	354115	690	3/54

RAIL + SCREW FIXING

SCREW CONNECTION	352100	690	3/54
CLAMP CONNECTION	352105	690	3
CLAMP-SCREW CONNECTION	352110	690	3
FIXED SCREW CONNECTION	352115	690	3/54

THREE
POLE

RAIL + SCREW FIXING

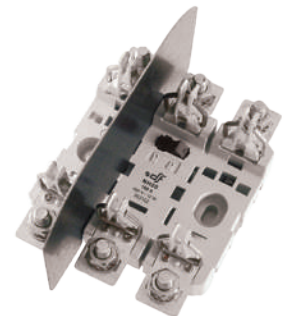
SCREW CONNECTION	353102	690	1/20
CLAMP CONNECTION	353105	690	1/20
CLAMP-SCREW CONNECTION	353110	690	1/20
FIXED NUT CONNECTION	353115	690	1/20

RAIL + SCREW FIXING WITH TERMINAL COVERS

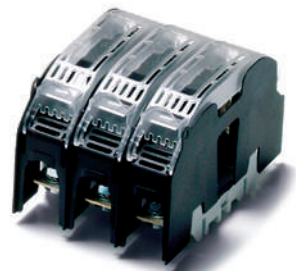
SCREW CONNECTION	335120	690	1
CLAMP CONNECTION	335125	690	1
CLAMP-SCREW CONNECTION	335130	690	1
FIXED NUT CONNECTION	335135	690	1

RAIL + SCREW FIXING IP20 PROTECTION

SCREW CONNECTION	334717	690	1
CLAMP CONNECTION	334720	690	1
CLAMP-SCREW CONNECTION	334725	690	1
FIXED NUT CONNECTION	334730	690	1



353102



334717

NH0
160A

SINGLE
POLE

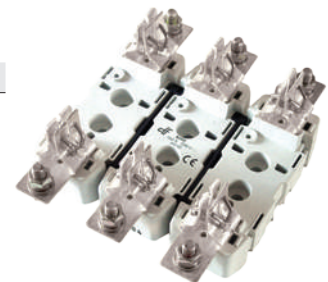
SCREW FIXING - SCREW CONNECTION	354160	690	3
RAIL + SCREW FIXING - SCREW CONNECTION	352160	690	3



352160

THREE
POLE

SCREW FIXING - SCREW CONNECTION	355160	690	1
RAIL + SCREW FIXING - SCREW CONNECTION	353160	690	1



355160

STANDARDS	APPROVALS
IEC 60269-1 IEC 60269-2 EN 60269-1 EN 60269-2 DIN 43620	RoHS compliant 2011/65/EU

TECHNICAL	TECHNICAL	TECHNICAL
TECHNICAL DATA	ACCESSORIES ASSEMBLY SYSTEM	DIMENSIONS
PAGE 22	PAGE 38	PAGE 38

COMPATIBLE	COMPATIBLE	COMPATIBLE
gG 500V NH FUSE LINKS	gG 690V NH FUSE LINKS	aM 500V & 690V NH FUSE LINKS
PAGE 02	PAGE 04	PAGE 06

ST NH FUSE BASES

690V

**NH1
250A**

SINGLE
POLE

DESCRIPTION	REFERENCE	U (V AC)	PACKING
RAIL + SCREW FIXING - SCREW CONNECTION	352250	690	3

THREE
POLE

RAIL + SCREW FIXING - SCREW CONNECTION	353250	690	1
--	--------	-----	---



353250

**NH2
400A**

SINGLE
POLE

SCREW FIXING - FIXED NUT CONNECTION	354251	690	3
RAIL + SCREW FIXING - SCREW CONNECTION	352400	690	3

THREE
POLE

RAIL DIN FIXING - SCREW CONNECTION	353400	690	1
------------------------------------	--------	-----	---



355400

**NH3
630A**

SINGLE
POLE

RAIL + SCREW FIXING - SCREW CONNECTION	352630	690	3
--	--------	-----	---

THREE
POLE

RAIL + SCREW FIXING - SCREW CONNECTION	353630	690	1
--	--------	-----	---



352630

NH4

1000A
1250A
SINGLE
POLE

DESCRIPTION	REFERENCE	U (V AC)	PACKING
SCREW FIXING			
SCREW CONNECTION	354125	690	1
2 SCREWS M10 CONNECTION	354128	690	1
2 SCREWS M10 CONNECTION W/MIC	356128	690	1

1600A
SINGLE
POLE

SCREW FIXING	354126	690	1
--------------	--------	-----	---

2500A
SINGLE
POLE

DESCRIPTION	REFERENCE	U (V AC)	PACKING
SCREW FIXING			
ST NH FUSE BASE 2500A GROUP	354127	690	1
ST NH FUSE BASE 2500A GROUP W/MIC	356127	690	1



354127

ST WITH MICROSWITCH NH FUSE BASES

Fuse bases for NH fuse links with striker. For mounting on DIN/EN rail or screw fixing. Connection by screws. NH ST fuse bases are made with self-extinguishable materials and have silver plated copper contacts with double spring in order to obtain optimum operation. Manufactured according IEC, EN and DIN standards.

www.df-sa.es/NH/fusebases/ST/microswitch/

690V

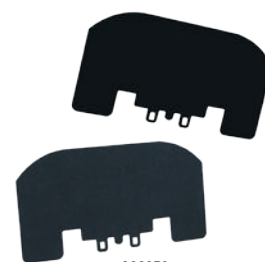
	DESCRIPTION	REFERENCE	U (V)	PACKING
NH0 160A SINGLE POLE	RAIL + SCREW FIXING - SCREW CONNECTION	356160	690	1
NH1 250A SINGLE POLE	RAIL + SCREW FIXING - SCREW CONNECTION	356250	690	1
NH2 400A SINGLE POLE	RAIL + SCREW FIXING - SCREW CONNECTION	356400	690	1
NH3 630A SINGLE POLE	RAIL + SCREW FIXING - SCREW CONNECTION	356630	690	1
NH4 1000A 1250A SINGLE POLE	SCREW FIXING SCREW CONNECTION	356125	690	1



356250

ST NH FUSE BASES ACCESSORIES PARTITION WALLS

SIZE	In (A)	REFERENCE	DESCRIPTION	PACKING
NH00	160	326100	SNAP-ON FIXING	2
NH0	160	326160	SNAP-ON FIXING	2
NH1 - NH2	250/400	326250	SNAP-ON FIXING	2
NH3	630	326630	SNAP-ON FIXING	2
NH4	1250	343125	SCREW FIXING	1



326250

ST NH FUSE BASES ACCESSORIES SEPARATORS

SIZE	REFERENCE	PACKING
NH00	325100	2
NH0	325160	2
NH1 - NH2	325250	2
NH3	325630	2



325100

STANDARDS
IEC 60269-1 IEC 60269-2 EN 60269-1 EN 60269-2 DIN 43620

APPROVALS

TECHNICAL
TECHNICAL DATA
PAGE 22

TECHNICAL
ACCESSORIES ASSEMBLY SYSTEM
PAGE 38

TECHNICAL
DIMENSIONS
PAGE 40

COMPATIBLE
gg 500V WITH STRIKER NH FUSE LINKS
PAGE 08

COMPATIBLE
gg 690V WITH STRIKER NH FUSE LINKS
PAGE 10

COMPATIBLE
am 500V & 690V WITH STRIKER NH FUSE LINKS
PAGE 12

ST NH FUSE BASES ACCESSORIES TERMINAL COVERS

SIZE	REFERENCE	DESCRIPTION	PACKING
NH00 SINGLE POLE	325000		6
NH00 THREE POLE INTEGRAL	325009	PARTITION WALLS INCORPORATED	1
NH0	325001		6
NH1	325002		6
NH2	325003		6
NH3	325007		6



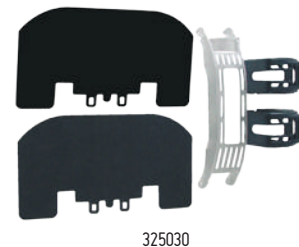
ST NH FUSE BASES ACCESSORIES FUSE LINKS COVERS

SIZE	REFERENCE	PACKING
NH00	325010	3
NH0	325015	3
NH1 - NH2	325020	3
NH3	325025	3



ST NH FUSE BASES ACCESSORIES IP20 PROTECTION KITS

SIZE	REFERENCE	PACKING
NH00 SINGLE POLE	325030	1
NH00 THREE POLE	325032	1
NH0 THREE POLE	325036	1
NH1 THREE POLE	325041	1
NH2 THREE POLE	325046	1
NH3 THREE POLE	325051	1



ST NH FUSE BASES ACCESSORIES MICROSWITCHES

SIZE	REFERENCE	DESCRIPTION	PACKING
NH0	357160	16A-250V PRESENCE - FUSION	1
NH1	357250	16A-250V PRESENCE - FUSION	1
NH2	357400	16A-250V PRESENCE - FUSION	1
NH3	357630	16A-250V PRESENCE - FUSION	1



NH FUSE LINKS ACCESSORIES MICROSWITCHES FOR NH FUSE LINKS

REFERENCE	DESCRIPTION	PACKING
357010	NH000/00/0/C1/1/C2/2/C3/3	1/12 Uni./BOX



NH000
NH00
NH0
NHC1
NH1
NHC2
NH2
NHC3
NH3

CR NH FUSE BASES

Fuse bases for NH fuse links. For screw fixing. Single-pole or three-pole type. Connection by screws. NH CR fuse bases are made of ceramics and have silver plated copper contacts. There are two contact styles, one of them with double spring in order to obtain an optimum operation. Manufactured according IEC, EN and DIN standards.

690V

www.df-sa.es/NH/fusebases/CR/

DESCRIPTION	REFERENCE	U (V)	PACKING Uni./BOX
-------------	-----------	----------	---------------------

NH00	SINGLE POLE		
	SCREW CONNECTION - CLIP CONTACT	350100	690 3/72
	THREE POLE		
	SCREW CONNECTION - CLIP CONTACT	351100	690 1/15



350100

NH0	SINGLE POLE		
	SCREW CONNECTION - CLIP CONTACT	350160	690 3
	THREE POLE		
	SCREW CONNECTION - CLIP CONTACT	351160	690 1

NH1	SINGLE POLE		
	SCREW CONNECTION - CLIP CONTACT	350250	690 3
	THREE POLE		
	SCREW CONNECTION - CLIP CONTACT	351250	690 1

NH2	SINGLE POLE		
	SCREW CONNECTION - CLIP CONTACT	350400	690 3
	THREE POLE		
	SCREW CONNECTION - CLIP CONTACT	351400	690 1



351400

NH3	SINGLE POLE		
	SCREW CONNECTION - CLIP CONTACT	350630	690 3
	THREE POLE		
	SCREW CONNECTION - CLIP CONTACT	351630	690 1

STANDARDS	APPROVALS
IEC 60269-1 IEC 60269-2 EN 60269-1 EN 60269-2 DIN 43620	RoHS compliant

TECHNICAL TECHNICAL DATA	TECHNICAL DIMENSIONS
PAGE 22	PAGE 42

COMPATIBLE	COMPATIBLE	COMPATIBLE
gG 500V NH FUSE LINKS	gG 690V NH FUSE LINKS	aM 500V & 690V NH FUSE LINKS
PAGE 02	PAGE 04	PAGE 06

CR NH FUSE BASES ACCESSORIES PARTITION WALLS

SIZE	In (A)	REFERENCE	PACKING
SNAP-ON FIXING			
NH00	160	326100	2
NH0	160	326102	2
NH1 - NH2	250/400	326250	2
NH3	630	326630	2
SCREW FIXING			
NH00	160	342100	2
NH0	160	342160	2
NH1 - NH2	250/400	342250	2
NH3	630	342630	2



ST CR NH FUSE BASES ACCESSORIES NEUTRAL LINKS

SIZE	In (A)	REFERENCE	PACKING Uni./BOX
NH00	160	341100	3/90
NH0	160	341160	3
NH1	250	341250	3
NH2	400	341400	3
NH3	630	341630	3
NH4	1250	340125	1



ST CR NH FUSE BASES ACCESSORIES TERMINALS

SIZE	CROSS SECTION min ... MAX (mm ²)	REFERENCE	PACKING
1 CABLE			
NH00	6 ... 50	343100	3
NH00 - NH0	10 ... 95	343160	3
NH1	16 ... 150	343400	3
NH2 - NH3	50 ... 240	343630	3
2 CABLES			
NH00	6 ... 50	344100	3
NH00 - NH0	10 ... 95	344160	3
NH1	25-16 ... 150	344400	3
NH2 - NH3	95-50 ... 240	344630	3



NH FUSE LINKS ACCESSORIES REPLACEMENT HANDLE

SIZE	V _{max} (V AC/DC)	REFERENCE	PACKING
NH00 - 0 - 1 - 2 - 3 - 4	1000	340001	5



SECTIONABLE NEUTRAL NH FUSE BASES

Neutral bases for mounting on DIN/EN rail or with screw fixing. Connection by screws or clamps. NH00 and NH0 can be mounted in NH ST fuse bases with connection accessories. Made of self-extinguishable materials and have silver plated copper contacts.

www.df-sa.es/NH/fusebases/sectionableneutral/

I_n (A)	REFERENCE	U (V)	POLES	PACKING Uni./BOX
--------------	-----------	----------	-------	---------------------

CONNECTION SCREW – SCREW

NH00	160	334103	690	1	3/90
NH0	250	334160	690	1	3/30
NH1 NH2 NH3	630	334251	690	1	3



334103

CONNECTION CLAMP – SCREW

NH00	160	334101	690	1	3/90
NH0	250	334161	690	1	3/30



334101

CONNECTION CLAMP – CLAMP

NH00	160	334102	690	1	3/90
NH0	250	334162	690	1	3/30



334102

STANDARDS

IEC 60269-1
IEC 60269-2
EN 60269-1
EN 60269-2
DIN 43620

APPROVALS



TECHNICAL

DIMENSIONS

PAGE 41

BS NH FUSE SWITCH DISCONNECTORS

690V

Three-phase fuse switch disconnectors for NH fuse-links. Available from size 000 to size 3 for board fixing and a mode size 00 for mounting on 60 mm busbar system. They provide IP20 protection against contacts and are manufactured in self-extinguishable materials.

	DESCRIPTION	U (V)	REFERENCE	PACKING Uni./BOX
NH000 100A 3P	FUSE SWITCH DISCONNECTOR 3P BS CLAMP CONNECTION	690	335005	1
NH00 160A 3P	FUSE SWITCH DISCONNECTOR 3P BS SCREW OR CLAMP CONNECTION	690	335025	1
	FUSE SWITCH DISCONNECTOR 3P BS 60mm BUSBAR CONNECTION	690	335040	1
NH1 250A 3P	FUSE SWITCH DISCONNECTOR 3P BS SCREW CONNECTION	690	335095	1
NH2 400A 3P	FUSE SWITCH DISCONNECTOR 3P BS SCREW CONNECTION	690	335155	1
NH3 630A 3P	FUSE SWITCH DISCONNECTOR 3P BS SCREW CONNECTION	690	335195	1



335025



335040



335155

STANDARDS IEC 60947-1 IEC 60947-3 EN 60947-1 EN 60947-3	APPROVALS RoHS compliant
---	---------------------------------------

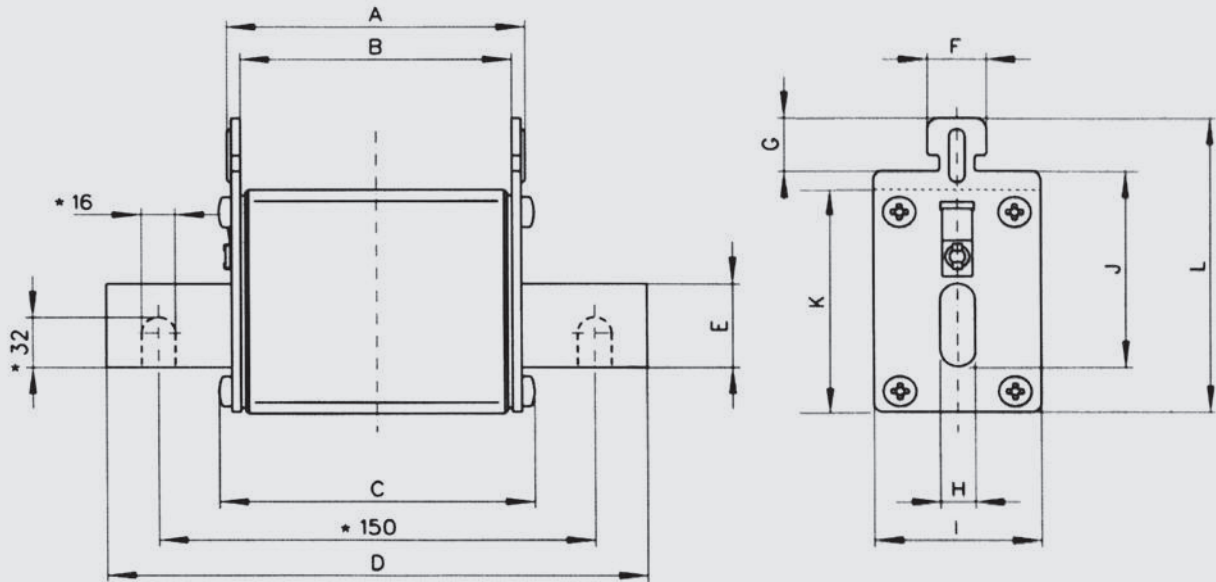
TECHNICAL DIMENSIONS PAGE 44	TECHNICAL TECHNICAL DATA PAGE 44
---	---

NH FUSE BASES

	ST NH00	ST NH0	ST NH1	ST NH2	ST NH3	ST NH4	CR NH00	CR NH0	CR NH1	CR NH2	CR NH3
BODY	POLYAMIDE +25% F.V. UL94-V0	POLYAMIDE +25% F.V. UL94-V0	POLYAMIDE +25% F.V. UL94-V0	POLYAMIDE +25% F.V. UL94-V0	POLYAMIDE +25% F.V. UL94-V0	UP THERMOSETTING	ESTEATITE CER-221	ESTEATITE CER-221	ESTEATITE CER-221	ESTEATITE CER-221	ESTEATITE CER-221
CONTACTS	SILVER PLATED COPPER	SILVER PLATED COPPER	SILVER PLATED COPPER	SILVER PLATED COPPER	SILVER PLATED COPPER	SILVER PLATED COPPER	SILVER PLATED COPPER	SILVER PLATED COPPER	SILVER PLATED COPPER	SILVER PLATED COPPER	SILVER PLATED COPPER
SCREW, NUT AND WASHERS	STEEL QUALITY 8.8	STEEL QUALITY 8.8	STEEL QUALITY 8.8	STEEL QUALITY 8.8	STEEL QUALITY 8.8	STEEL QUALITY 8.8	STEEL QUALITY 8.8	STEEL QUALITY 8.8	STEEL QUALITY 8.8	STEEL QUALITY 8.8	STEEL QUALITY 8.8
DERATING TEMPERATURE											
20 °C	1	1	1	1	1	1	1	1	1	1	1
30 °C	0.95	0.95	0.95	0.95	0.95	0.95	0.95	0.95	0.95	0.95	0.95
40 °C	0.9	0.9	0.9	0.9	0.9	0.9	0.9	0.9	0.9	0.9	0.9
50 °C	0.8	0.8	0.8	0.8	0.8	0.8	0.8	0.8	0.8	0.8	0.8
MAX. POWER DISIPATION	12 W	25 W	32 W	45 W	60 W	90 W	12 W	25 W	32 W	45 W	60 W
DEGREE OF PROTECTION	IP00/IP20	IP00/IP20	IP00/IP20	IP00/IP20	IP00/IP20	IP00	IP00	IP00	IP00	IP00	IP00
CONNECTING											
SCREW	M8	M8	M10	M12	M12	M16	M8	M8	M10	M12	M12
CLAMP	2 x M6						2 x M6				
MAX. TIGHTENING TORQUE											
SCREW	10 Nm	10 Nm	32 Nm	32 Nm	32 Nm	56 Nm	10 Nm	10 Nm	32 Nm	32 Nm	32 Nm
CLAMP	4 Nm										
FIXING											
RAIL DIN	o	o	o	o	o	—	—	—	—	—	—
SCREW	o	o	o	o	o	o	o	o	o	o	o
WITH MICROSWITCH 16A – 250V											
PRESENCE-FUSION	—	o	o	o	o	o	—	—	—	—	—
FUNCTION TEMPERATURE											
	-20 ... 70 °C	-20 ... 70 °C	-20 ... 70 °C	-20 ... 70 °C	-20 ... 70 °C	-20 ... 70 °C	-20 ... 70 °C	-20 ... 70 °C	-20 ... 70 °C	-20 ... 70 °C	-20 ... 70 °C
STORAGE TEMPERATURE											
	-40 ... 80 °C	-40 ... 80 °C	-40 ... 80 °C	-40 ... 80 °C	-40 ... 80 °C	-40 ... 80 °C	-40 ... 80 °C	-40 ... 80 °C	-40 ... 80 °C	-40 ... 80 °C	-40 ... 80 °C

TECHNICAL
gG TOP INDICATOR NH FUSE LINKS
DIMENSIONS

aM



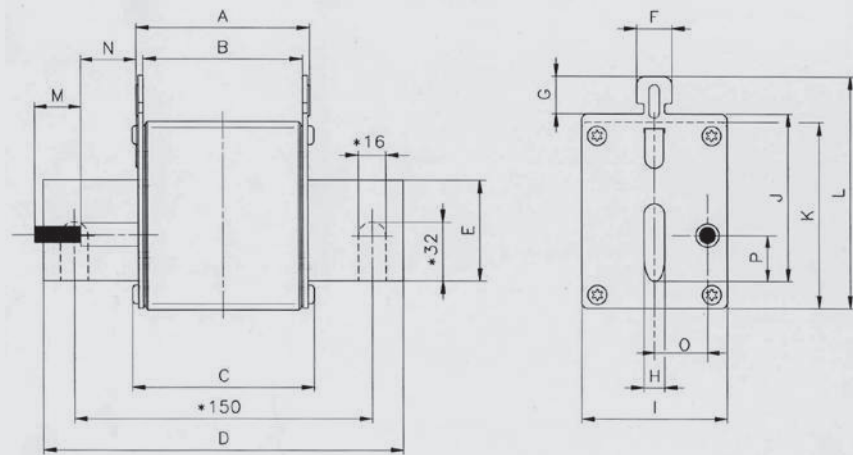
* NH4 FUSE LINKS

SIZE	A	B	C	D	E	F	G	H	I	J	K	L
NH000	49	45	52	78,5	15	10	9,5	6	21	35	40	53
NH00	49	44	52	78,5	15	10	9,5	6	29	35	47	59
NH0	66	60,5	66,5	125	15	10	9,5	6	29	35	47	59
NH0 S	66	62	66,5	125	15	10	9,5	6	39	35	47	59
NHC1	68	62	70,5	135	15	10	9,5	6	29	40	47	64
NH1	68	62	71,5	135	20	10	9,5	6	39	40	52	64
NHC2	68	62	71,5	150	20	10	9,5	6	39	48	52	72
NH2	68	62	71,5	150	25	10	9,5	6	53	48	60	72
NHC3	68	62	71,5	150	25	10	9,5	6	53	60	60	84
NH3	68	62	73	150	32	10	9,5	6	70	60	75	87
NH4	68	62	76	200	50	10	10	8	102	87	105	120

TECHNICAL

gG WITH STRIKER NH FUSE LINKS DIMENSIONS

aM



* NH4 FUSE LINKS

SIZE	A	B	C	D	E	F	G	H	I	J	K	L	M	N	O	P
NH0S	66	62	66,5	125	15	10	9,5	6	39	35	47	59	15	29	14,5	14
NH1	68	62	71,5	135	20	10	9,5	6	39	40	52	64	15	28,5	16	14,5
NH2	68	62	71,5	150	25	10	9,5	6	53	48	60	72	15	28,5	19	14,5
NH3	68	62	73	150	32	10	9,5	6	70	60	75	87	15	28	24	14,5
NH4	68	62	76	200	50	10	10	8	102	87	105	120	15	39	27,5	14,5

TECHNICAL

gG NH FUSE LINKS DC APPLICATIONS

FUSE LINKS are generally suitable for both AC and DC applications. The DC performance of fuse-links is different and AC ratings cannot be used for DC applications. There is no simple rule that safely converts an AC voltage rating of a fuse-link to DC voltage rating. For this reason it is necessary to take into account a lot of aspects in order to determine the DC applications.

In the **DF ELECTRIC gG NH fuse links** it is necessary to take into account the following considerations:

- The power dissipations are the same in AC (RMS value) and the DC values.
- The time current characteristics are the same for DC applications under steady-state conditions.
- The DC rated voltage and maximum breaking capacity are lower than the AC values (see the table).

SIZE	RATED VOLTAGES	DC BREAKING CAPACITY	MAX. RATED CURRENT FOR DC
000 - 00	500V AC → 125V DC 690V AC → 250V DC	25 kA	160 A
0	500V AC → 250V DC 690V AC → 440V DC	25 kA	160 A
1	500V AC → 250V DC 690V AC → 440V DC	25 kA	250 A
2	500V AC → 250V DC 690V AC → 440V DC	25 kA	400 A
3	500V AC → 250V DC 690V AC → 440V DC	25 kA	630 A
4	500V AC → 250V DC 690V AC → 440V DC	25 kA	1000 A

These values are referred to a time constant L/R = 15 ms.

For higher values of time constant, the maximum utilization voltage must be reduced.

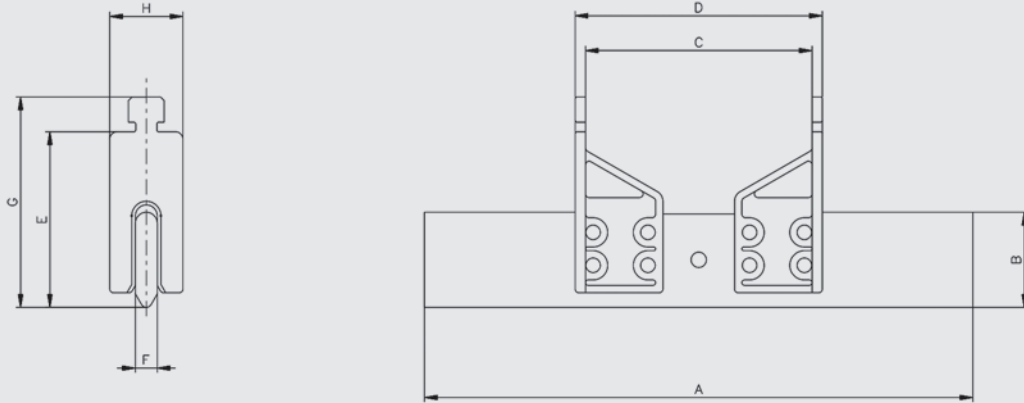
For circuits with very inductive behaviour, we recommend to connect two fuse links in series.

TECHNICAL

NEUTRAL LINK DIMENSIONS

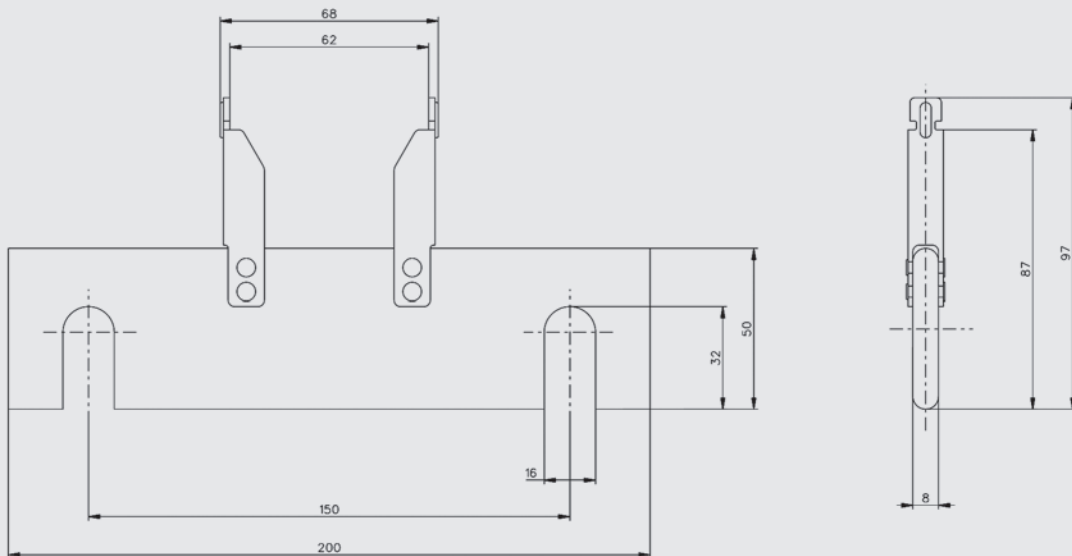
NH00
NH0
NH1

NH2
NH3



SIZE	A	B	C	D	E	F	G	H
NH00	78,5	15	44,4	50	35	6	44,5	20
NH0	125	15	62	67,6	35	6	44,5	20
NH1	135	20	62	67,6	40	6	49,5	20
NH2	150	26	62	67,6	48	6	57,5	20
NH3	150	32	62	67,6	60	6	69,5	20

NH4



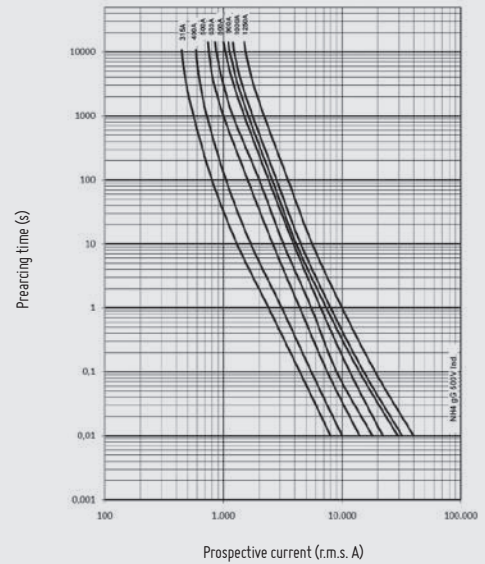
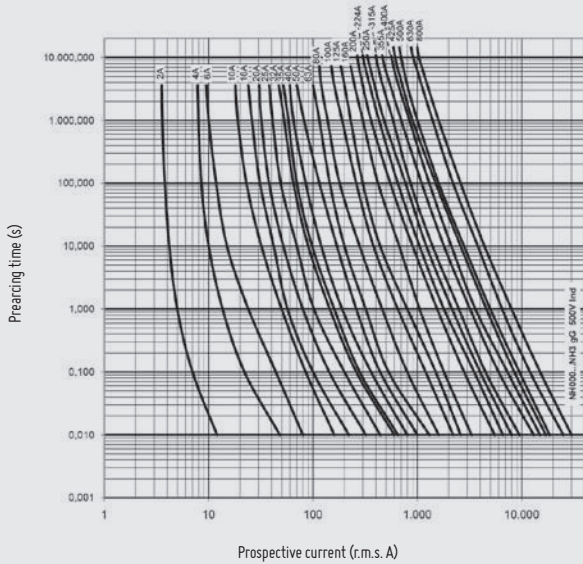
TECHNICAL

gG NH FUSE LINKS t-I CHARACTERISTICS

500V

NH000
NH00
NH0

NH1
NH2
NH3



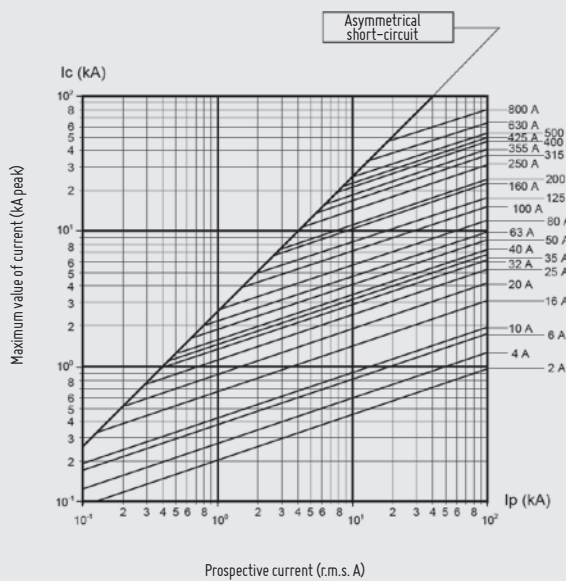
TECHNICAL

gG NH FUSE LINKS CUT-OFF CHARACTERISTICS

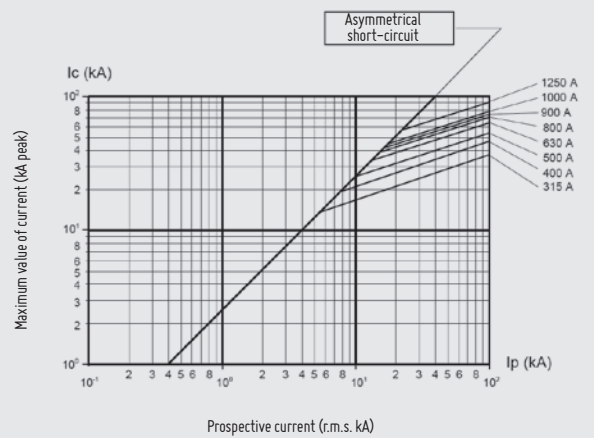
500V

NH000
NH00
NH0

NH1
NH2
NH3



NH4



TECHNICAL

gG NH FUSE LINKS I²t CHARACTERISTICS

500V

NH000
NH00
NH0

NH1
NH2
NH3

NH4

I _n (A)	Prearcing I ² t ≈ 4 ms (A ² s)	Total I ² t 230 V (A ² s)	Total I ² t 400 V (A ² s)	Total I ² t 500 V (A ² s)
2	–	2,2	2,8	3,3
4	32	46	59	69
6	103	145	188	218
10	128	197	270	324
16	290	444	607	730
20	605	926	1267	1.524
25	1.160	1.774	2428	2.920
32	2.779	4.100	5467	6.475
35	3.190	4.710	6276	7.433
40	4.594	6.780	9037	10.700
50	5.600	11.075	14.772	17.500
63	5.700	16.600	15.800	22.000
80	9.838	18.600	29.823	39.350
100	20.400	38.600	61.962	81.800
125	40.500	70.900	107.301	136.895
160	78.400	137.000	207.711	265.000
200	98.100	159.600	228.666	282.540
224	138.300	225.000	322.455	398.400
250	169.000	274.700	393.447	486.000
315	236.700	435.300	682.917	890.000
355	290.960	535.100	839.445	1.094.000
400	444.000	816.600	1.281.297	1.670.000
425	589.800	998.400	1.473.145	1.851.960
500	900.000	1.523.400	2.247.948	2.826.000
630	1.600.000	2.707.400	3.993.806	5.020.000
800	2.500.000	4.231.800	6.244.300	7.850.000
315	269.400	363.200	452.900	660.000
400	471.400	635.400	792.400	1.154.800
500	851.400	1.147.800	1.431.300	2.085.900
630	1.609.600	2.169.900	2.706.000	3.943.600
800	2.248.200	3.030.700	3.779.400	5.507.900
900	3.405.500	4.590.900	5.725.100	8.343.400
1000	4.310.000	5.810.500	7.246.000	10.560.000
1250	7.541.100	10.166.200	12.677.700	18.475.700

TECHNICAL

gG NH FUSE LINKS POWER DISSIPATION

500V

NH000

NH00

NH0/NH0S

NH1

NH2

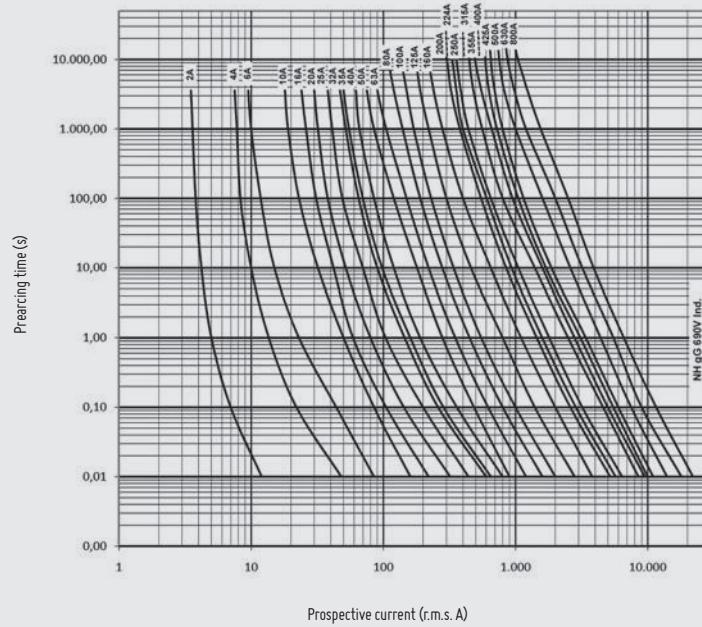
NH3

NH4

I _n (A)	SIZE							
	NH000 (W)	NH00 (W)	NH0/NH0S (W)	NH1 (W)	NH2 (W)	NH3 (W)	NH4 (W)	
2	0,83	–	–	–	–	–	–	
4	0,65	–	–	–	–	–	–	
6	0,88	–	1,3	–	–	–	–	
10	1,1	–	1,3	–	–	–	–	
16	2,0	–	2,8	–	–	–	–	
20	2,3	–	3,0	–	–	–	–	
25	2,8	–	3,6	–	–	–	–	
32	3,3	–	4,5	–	–	–	–	
35	3,5	–	4,8	–	–	–	–	
40	4,0	–	5,2	–	–	–	–	
50	5,1	–	6,7	5,5	–	–	–	
63	6,1	–	7,0	6,6	6,3	–	–	
80	6,7	–	7,2	7,7	7,9	–	–	
100	7,4	–	8,3	8,5	8,2	–	–	
125	–	9,0	10,9	10,9	10,3	–	–	
160	–	10,3	11,7	12,6	13,1	–	–	
200	–	–	15,5	17,0	16,6	–	–	
224	–	–	17,7	17,5	18,6	–	–	
250	–	–	20,2	20,2	20,6	21,0	–	
315	–	–	–	27,4	26,7	25,6	26,1	
355	–	–	–	35,8	29,0	30,6	–	
400	–	–	–	–	32,3	32,6	32,7	
425	–	–	–	–	35,2	33,5	–	
500	–	–	–	–	40,0	36,4	37,0	
630	–	–	–	–	–	45,5	47,0	
800	–	–	–	–	–	66,5	68,0	
900	–	–	–	–	–	–	76,0	
1000	–	–	–	–	–	–	80,0	
1250	–	–	–	–	–	–	108,0	

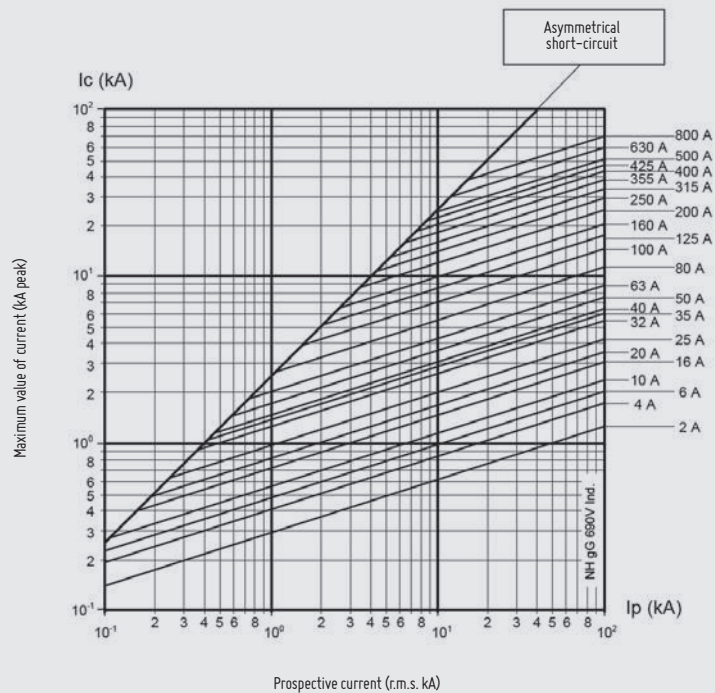
TECHNICAL
gG NH FUSE LINKS
 t-I CHARACTERISTICS

690V



TECHNICAL
gG NH FUSE LINKS
 CUT-OFF CHARACTERISTICS

690V



TECHNICAL
gG NH FUSE LINKS
I²t CHARACTERISTICS

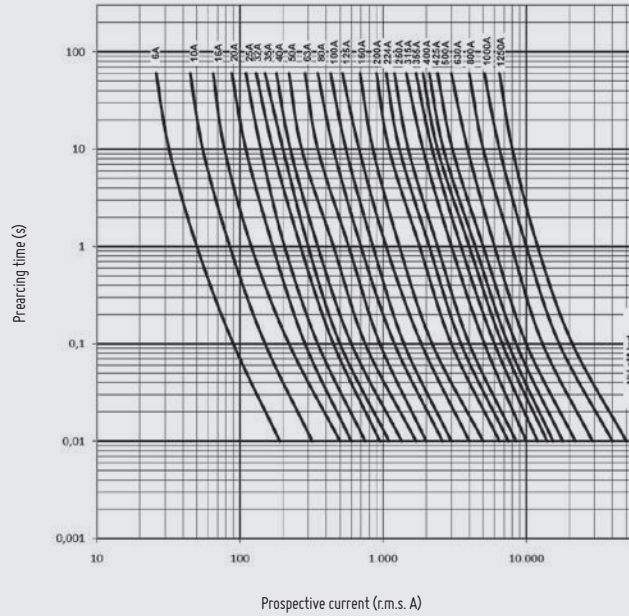
690V	I _n (A)	Prearcing I ² t ≈ 4 ms (A ² s)	Total I ² t		
			400 V (A ² s)	500 V (A ² s)	690 V (A ² s)
	2	1,5	2,9	3,4	4,5
	4	32	60	70	95
	6	103	191	223	300
	10	114	241	291	415
	16	255	542	654	935
	20	584	1.240	1.496	2.140
	25	1.120	2.376	2.868	4.100
	32	3.064	4.840	5.426	6.740
	35	3.517	5.556	6.229	7.740
	40	4.650	8.001	8.970	11.150
	50	4.800	8.574	10.310	14.630
	63	6.600	13.805	16.602	23.571
	80	11.700	24.472	29.430	41.786
	100	21.000	43.925	52.824	75.000
	125	24.000	49.436	59.225	83.478
	160	50.000	102.992	123.385	173.913
	200	92.000	189.505	227.028	320.000
	224	118.000	232.417	275.337	379.924
	250	167.000	328.929	389.671	537.689
	315	264.000	519.983	616.007	850.000
	355	326.000	667.612	798.639	1.122.590
	400	402.000	823.251	984.825	1.384.298
	425	409.000	837.586	1.001.973	1.408.402
	500	726.000	1.486.767	1.778.564	2.500.000
	630	1.373.000	2.800.000	3.360.000	4.725.000
	800	1.918.000	3.930.000	4.700.000	6.600.000

TECHNICAL
gG NH FUSE LINKS
POWER DISSIPATION

690V	I _n (A)	SIZE						
		NH000 (W)	NH00 (W)	NH0 (W)	NH1 (W)	NH2 (W)	NH3 (W)	NH4 (W)
	2	0,83	-	-	-	-	-	-
	4	0,65	-	-	-	-	-	-
	6	0,90	-	1,3	-	-	-	-
	10	1,1	-	1,3	-	-	-	-
	16	2,0	-	2,8	-	-	-	-
	20	2,3	-	3,0	-	-	-	-
	25	2,8	-	3,6	-	-	-	-
	32	3,3	-	4,5	-	-	-	-
	35	3,5	-	4,8	-	-	-	-
	40	4,0	-	5,2	-	-	-	-
	50	-	4,7	5,4	5,2	-	-	-
	63	-	6,1	6,9	7,1	7,0	-	-
	80	-	7,0	8,4	7,9	8,2	-	-
	100	-	9,0	10,2	10,2	10,5	-	-
	125	-	-	-	12,3	11,7	-	-
	160	-	-	-	13,4	16,9	-	-
	200	-	-	-	16,9	17,0	-	-
	224	-	-	-	-	21,9	-	-
	250	-	-	-	-	23,0	22,6	-
	315	-	-	-	-	30,0	30,0	-
	355	-	-	-	-	-	30,5	-
	400	-	-	-	-	-	36,1	32,7
	425	-	-	-	-	-	37,4	-
	500	-	-	-	-	-	45,0	37,0
	630	-	-	-	-	-	-	47,0
	800	-	-	-	-	-	-	70,0

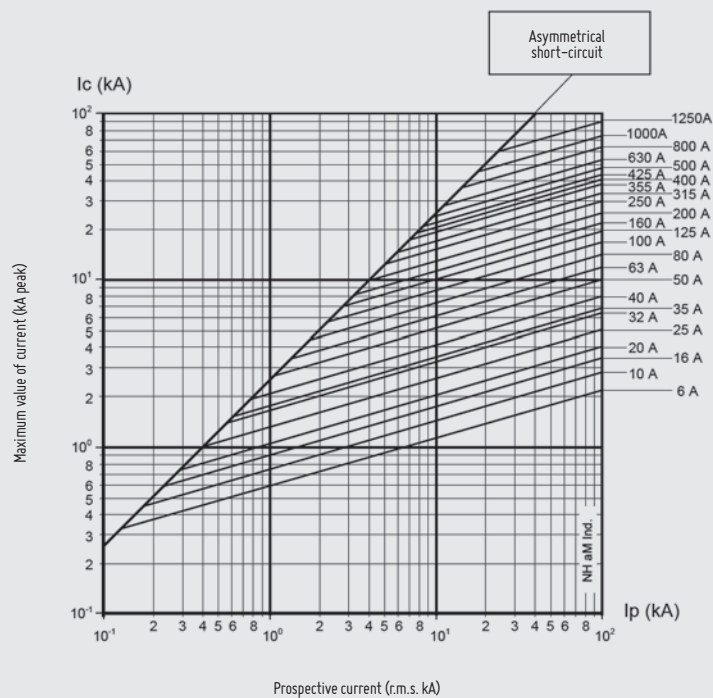
TECHNICAL
aM NH FUSE LINKS
 t-I CHARACTERISTICS

500V
 690V



TECHNICAL
aM NH FUSE LINKS
 CUT-OFF CHARACTERISTICS

500V
 690V



TECHNICAL

aM NH FUSE LINKS I²t CHARACTERISTICS

500V
690V

I _n (A)	Prearcing I ² t ≈ 4 ms (A ² S)	Total I ² t 400 V (A ² S)	Total I ² t 500 V (A ² S)	Total I ² t 690 V (A ² S)
6	160	324	387	542
10	325	659	786	1.100
16	820	1.619	1.919	2.650
20	1.240	2.634	3.179	4.547
25	2.500	5.310	6.410	9.167
32	3.200	6.796	8.204	11.733
35	4.100	8.708	10.512	15.033
40	6.000	12.743	15.383	22.000
50	9.000	18.820	22.632	32.130
63	16.300	33.697	40.405	57.050
80	19.600	40.519	48.586	68.600
100	36.000	74.423	89.239	126.000
125	53.000	99.787	116.890	157.872
160	82.000	154.388	180.848	244.255
200	167.000	314.425	368.313	497.447
224	240.000	451.868	529.312	714.894
250	291.000	547.890	641.790	866.809
315	463.000	871.728	1.021.130	1.379.149
355	470.000	884.908	1.036.568	1.400.000
400	502.000	1.080.129	1.308.183	1.882.500
425	582.000	1.252.261	1.516.658	2.182.500
500	760.000	1.635.254	1.980.516	2.850.000
630	1.423.000	3.061.799	3.708.255	5.336.250
800	1.880.000	3.824.516	4.567.527	6.400.000
1000	4.500.000	9.388.131	11.282.902	-
1250	7.000.000	14.641.519	17.607.924	-

TECHNICAL

aM NH FUSE LINKS POWER DISSIPATION

500V
690V

I _n (A)	SIZE							
	NH000 (W)	NH00 (W)	NH0 (W)	NH1 (W)	NH2 (W)	NH3 (W)	NH4 (W)	
6	0,33	-	0,4	-	-	-	-	
10	0,55	-	0,7	-	-	-	-	
16	0,85	-	1,1	-	-	-	-	
20	1,0	-	1,4	-	-	-	-	
25	1,1	-	1,6	-	-	-	-	
32	1,6	-	1,9	-	-	-	-	
35	1,8	-	2,0	-	-	-	-	
40	1,9	-	2,3	-	-	-	-	
50	-	2,4	3,1	-	-	-	-	
63	-	3,2	4,1	4,1	-	-	-	
80	-	4,3	5,0	5,1	-	-	-	
100	-	5,2	6,6	6,8	-	-	-	
125	-	6,7	8,2	8,7	8,7	-	-	
160	-	9,0	10,5	9,7	9,9	-	-	
200	-	-	12,3	13,8	13,7	-	-	
224	-	-	-	14,6	14,0	-	-	
250	-	-	-	18,1	16,5	-	-	
315	-	-	-	-	22,0	20,5	18,8	
355	-	-	-	-	27,3	24,1	-	
400	-	-	-	-	27,8	25,5	23,5	
425	-	-	-	-	-	28,5	-	
500	-	-	-	-	-	34,5	34	
630	-	-	-	-	-	45,9	49	
800	-	-	-	-	-	-	52	
1000	-	-	-	-	-	-	80	
1250	-	-	-	-	-	-	108	

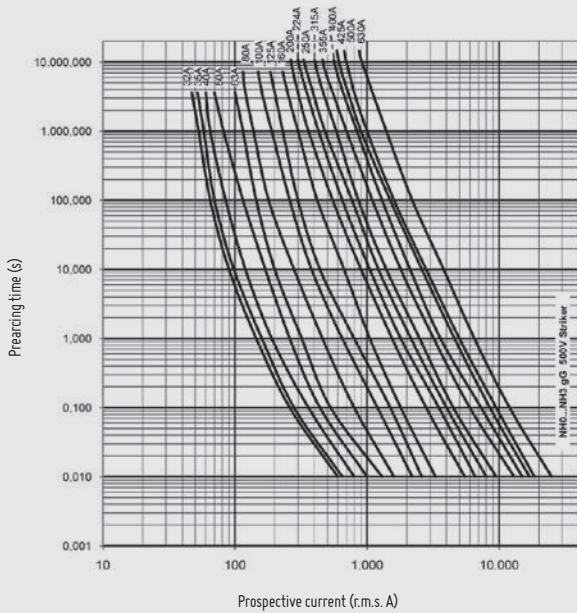
TECHNICAL

gG WITH STRIKER NH FUSE LINKS t-I CHARACTERISTICS

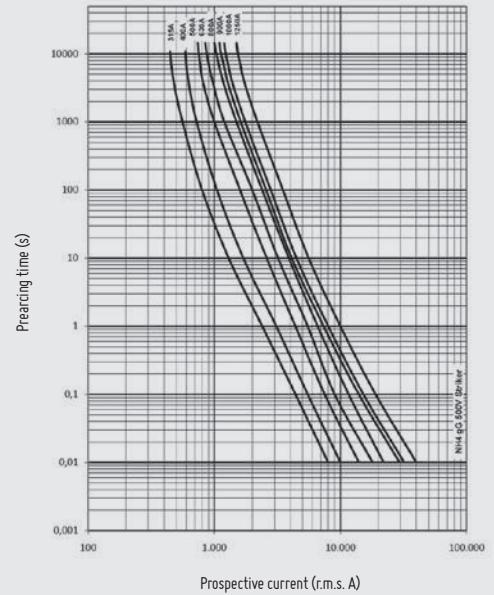
500V

NH0 S
NH1
NH2

NH3



NH4



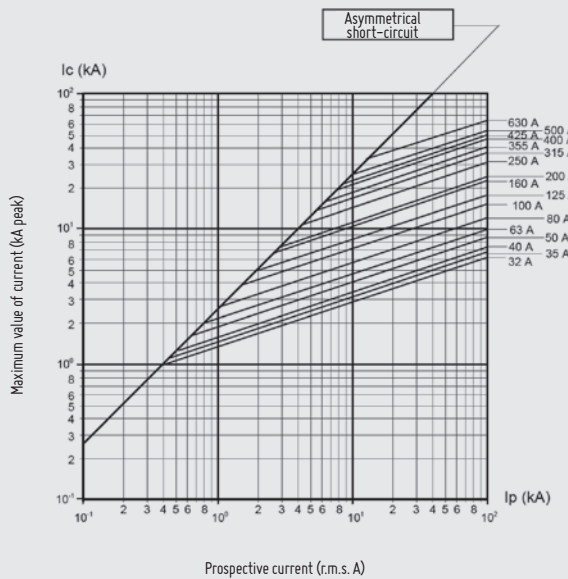
TECHNICAL

gG WITH STRIKER NH FUSE LINKS CUT-OFF CHARACTERISTICS

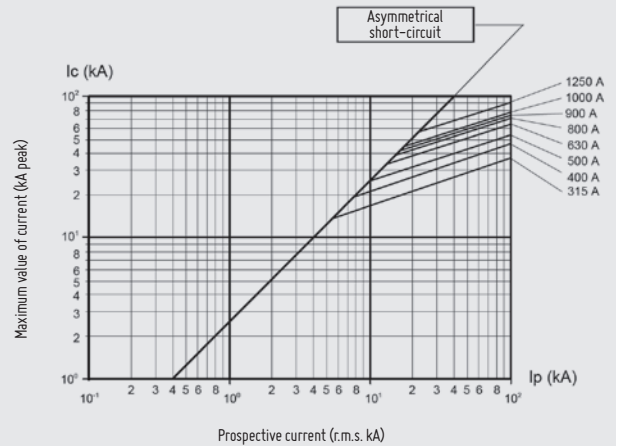
500V

NH0 S
NH1
NH2

NH3



NH4



TECHNICAL
gG WITH STRIKER NH FUSE LINKS
I²t CHARACTERISTICS

500V

I _n (A)	Prearcing I ² t ≈ 4 ms (A ² S)	Total I ² t 230 V (A ² S)	Total I ² t 400 V (A ² S)	Total I ² t 500 V (A ² S)
32	2.779	4.100	5467	6.475
35	3.190	4.710	6276	7.433
40	4.594	6.780	9037	10.700
50	5.600	11.075	14.772	17.500
63	5.700	16.600	15.800	22.000
80	9.838	18.600	29.823	39.350
100	20.400	38.600	61.962	81.800
125	40.500	70.900	107.301	136.895
160	78.400	137.000	207.711	265.000
200	98.100	159.600	228.666	282.540
224	138.300	225.000	322.455	398.400
250	169.000	274.700	393.447	486.000
315	236.700	435.300	682.917	890.000
355	290.960	535.100	839.445	1.094.000
400	444.000	816.600	1.281.297	1.670.000
425	589.800	998.400	1.473.145	1.851.960
500	900.000	1.523.400	2.247.948	2.826.000
630	1.600.000	2.707.400	3.993.806	5.020.000
800	2.500.000	4.231.800	6.244.300	7.850.000

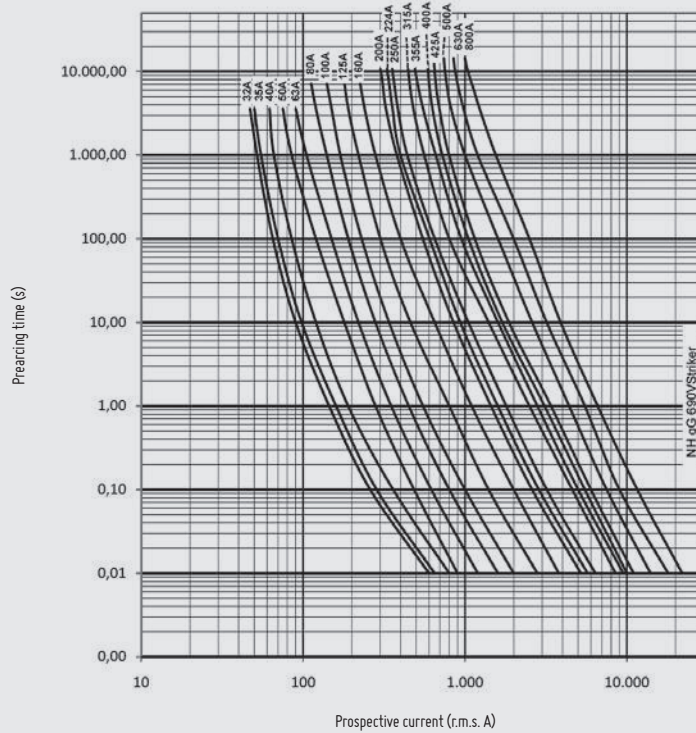
TECHNICAL
gG WITH STRIKER NH FUSE LINKS
POWER DISSIPATION

500V

I _n (A)	SIZE					
	NH0 S (VW)	NH1 (VW)	NH2 (VW)	NH3 (VW)	NH4 (VW)	
32	4,5	–	–	–	–	
35	4,8	–	–	–	–	
40	5,2	–	–	–	–	
50	6,7	–	–	–	–	
63	7,0	6,4	–	–	–	
80	7,2	7,8	–	–	–	
100	8,3	8,8	–	–	–	
125	10,9	10,8	10,2	–	–	
160	11,7	12,7	13,2	–	–	
200	15,5	17,0	15,8	–	–	
224	17,7	17,5	18,6	–	–	
250	20,2	20,2	20,6	–	–	
315	–	27,4	26,7	22,8	26,1	
355	–	35,8	29,0	26,7	–	
400	–	–	32,3	28,4	32,7	
425	–	–	35,2	33,5	–	
500	–	–	40,0	36,4	37,0	
630	–	–	–	45,5	47,0	
800	–	–	–	–	68,0	
900	–	–	–	–	76,0	
1000	–	–	–	–	80,0	
1250	–	–	–	–	108,0	

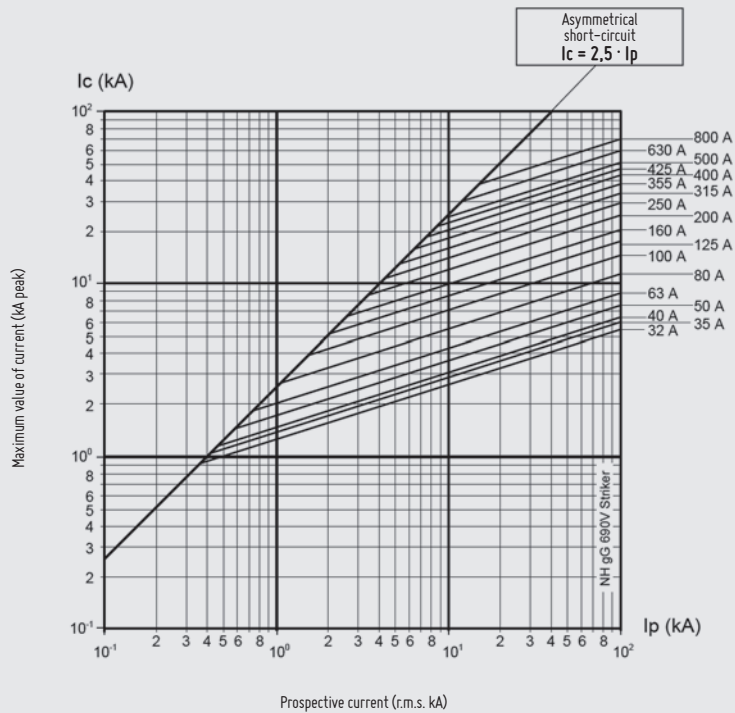
TECHNICAL
gG
690V

WITH STRIKER NH FUSE LINKS t-I CHARACTERISTICS



TECHNICAL
gG
690V

WITH STRIKER NH FUSE LINKS CUT-OFF CHARACTERISTICS



TECHNICAL
gG WITH STRIKER NH FUSE LINKS
I²t CHARACTERISTICS

690V

I _n (A)	Prearcing I ² t ≈ 4 ms (A ² s)	Total I ² t 400 V (A ² s)	Total I ² t 500 V (A ² s)	Total I ² t 690 V (A ² s)
32	3.064	4.840	5.426	6.740
35	3.517	5.556	6.229	7.740
40	4.650	8.001	8.970	11.150
50	4.800	8.574	10.310	14.630
63	6.600	13.805	16.602	23.571
80	11.700	24.472	29.430	41.786
100	21.000	43.925	52.824	75.000
125	24.000	49.436	59.225	83.478
160	50.000	102.992	123.385	173.913
200	92.000	189.505	227.028	320.000
224	118.000	232.417	275.337	379.924
250	167.000	328.929	389.671	537.689
315	264.000	519.983	616.007	850.000
355	326.000	667.612	798.639	1.122.590
400	402.000	823.251	984.825	1.384.298
425	409.000	837.586	1.001.973	1.408.402
500	726.000	1.486.767	1.778.564	2.500.000
630	1.373.000	2.800.000	3.360.000	4.725.000
800	1.918.000	3.930.000	4.700.000	6.600.000

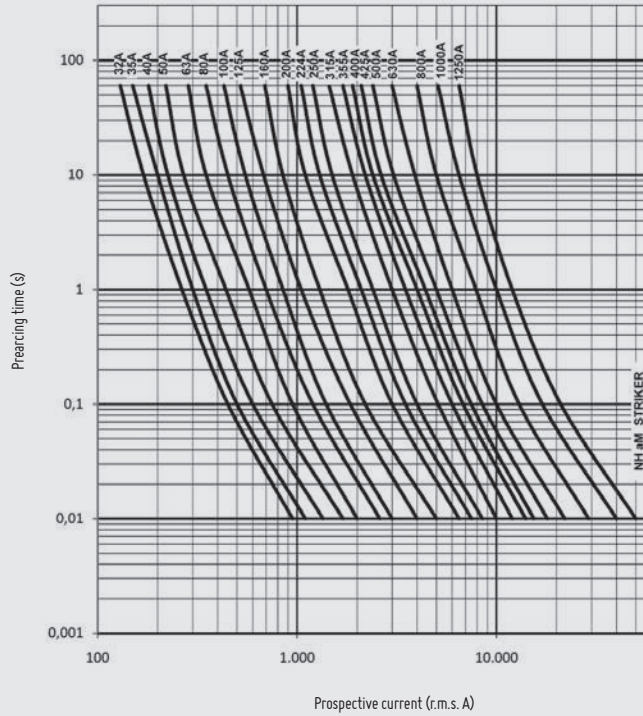
TECHNICAL
gG WITH STRIKER NH FUSE LINKS
POWER DISSIPATION

690V

I _n (A)	SIZE				
	NH0 S (VW)	NH1 (VW)	NH2 (VW)	NH3 (VW)	NH4 (VW)
32	4,5	-	-	-	-
35	4,8	-	-	-	-
40	5,2	-	-	-	-
50	5,4	-	-	-	-
63	6,9	7,5	-	-	-
80	8,4	8,2	-	-	-
100	10,2	10,3	-	-	-
125	-	12,3	12,5	-	-
160	-	13,4	14,4	-	-
200	-	16,9	15,8	-	-
224	-	-	21,9	-	-
250	-	-	23,0	-	-
315	-	-	30,0	26,8	-
355	-	-	-	30,5	-
400	-	-	-	36,1	32,7
425	-	-	-	37,4	-
500	-	-	-	45,0	37,0
630	-	-	-	-	47,0
800	-	-	-	-	70,0

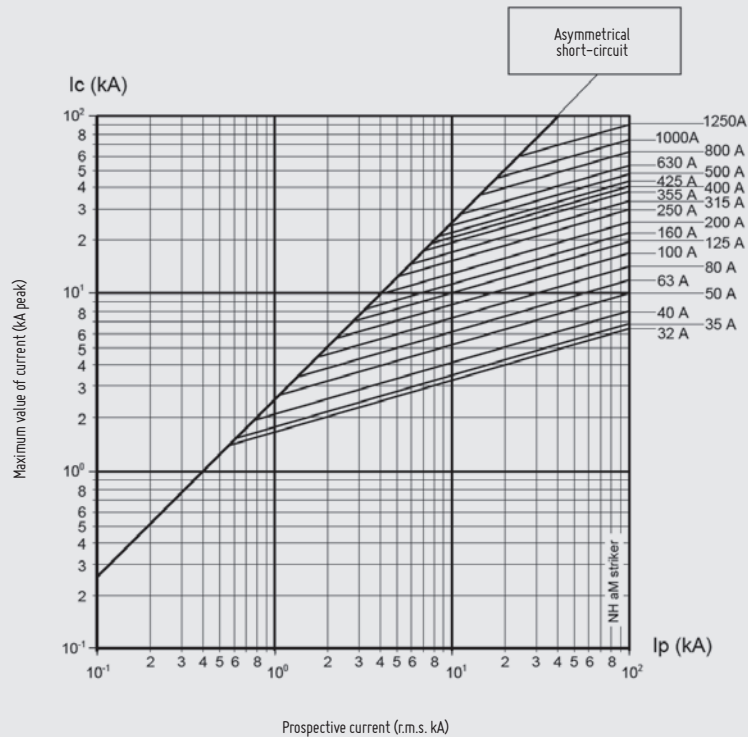
TECHNICAL
aM
500V
690V

WITH STRIKER NH FUSE LINKS t-I CHARACTERISTICS



TECHNICAL
aM
500V
690V

WITH STRIKER NH FUSE LINKS CUT-OFF CHARACTERISTICS



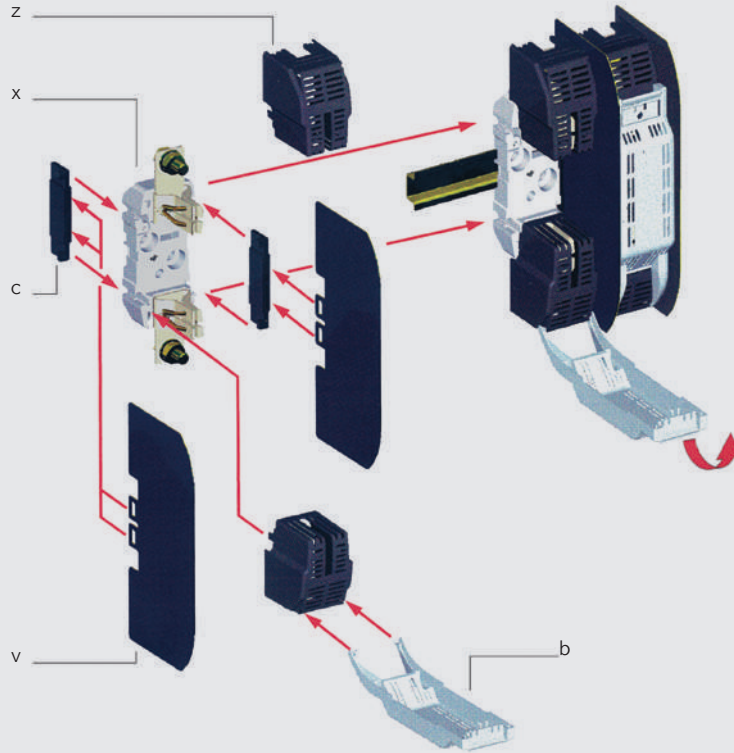
TECHNICAL
aM WITH STRIKER NH FUSE LINKS
I²t CHARACTERISTICS

500V 690V	I _n	Prearcing I ² t	Total I ² t 400 V	Total I ² t 500 V	Total I ² t 690 V
	(A)	≈ 4 ms (A ² s)	(A ² s)	(A ² s)	(A ² s)
	32	3.064	4.840	5.426	6.740
	35	3.517	5.556	6.229	7.740
	40	4.650	8.001	8.970	11.150
	50	4.800	8.574	10.310	14.630
	63	6.600	13.805	16.602	23.571
	80	11.700	24.472	29.430	41.786
	100	21.000	43.925	52.824	75.000
	125	24.000	49.436	59.225	83.478
	160	50.000	102.992	123.385	173.913
	200	92.000	189.505	227.028	320.000
	224	118.000	232.417	275.337	379.924
	250	167.000	328.929	389.671	537.689
	315	264.000	519.983	616.007	850.000
	355	326.000	667.612	798.639	1.122.590
	400	402.000	823.251	984.825	1.384.298
	425	409.000	837.586	1.001.973	1.408.402
	500	726.000	1.486.767	1.778.564	2.500.000
	630	1.373.000	2.800.000	3.360.000	4.725.000
	800	1.918.000	3.930.000	4.700.000	6.600.000

TECHNICAL
aM WITH STRIKER NH FUSE LINKS
POWER DISSIPATION

500V 690V	I _n	SIZE				
		NH0S	NH1	NH2	NH3	NH4
(A)	(W)	(W)	(W)	(W)	(W)	
	32	1,8	–	–	–	–
	35	1,9	–	–	–	–
	40	2,4	–	–	–	–
	50	3,0	–	–	–	–
	63	4,0	–	–	–	–
	80	5,4	4,9	–	–	–
	100	6,6	6,6	–	–	–
	125	8,3	8,7	8,4	–	–
	160	10,5	9,7	10,4	–	–
	200	12,3	13,8	14,3	–	–
	224	–	14,6	14,0	–	–
	250	–	18,1	16,5	–	–
	315	–	–	22,0	–	18,8
	355	–	–	27,3	–	–
	400	–	–	27,8	25,5	23,5
	425	–	–	–	28,5	–
	500	–	–	–	34,5	34
	630	–	–	–	45,9	49
	800	–	–	–	–	52
	1000	–	–	–	–	80
	1250	–	–	–	–	108

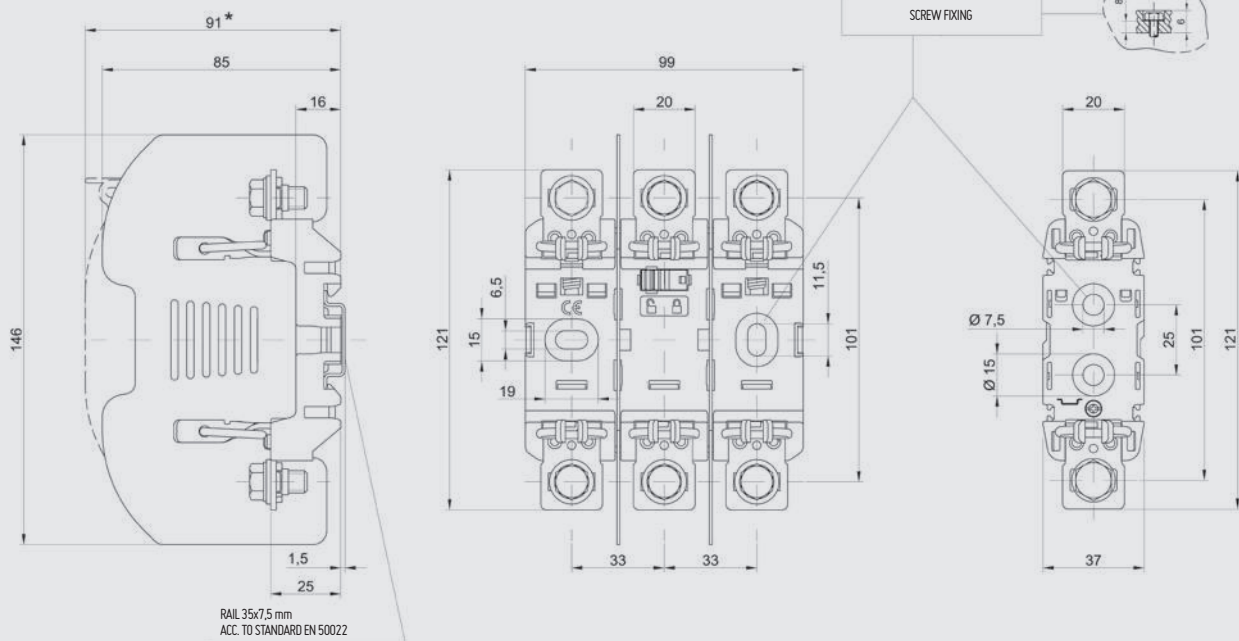
TECHNICAL
ST NH FUSE BASES
ACCESSORIES ASSEMBLY SYSTEM



- z TERMINAL COVERS
- x BODY
- c SEPARATOR
- v PARTITION WALL
- b FUSE LINKS COVER

TECHNICAL
ST SINGLE POLE - THREE POLE NH FUSE BASES
DIMENSIONS

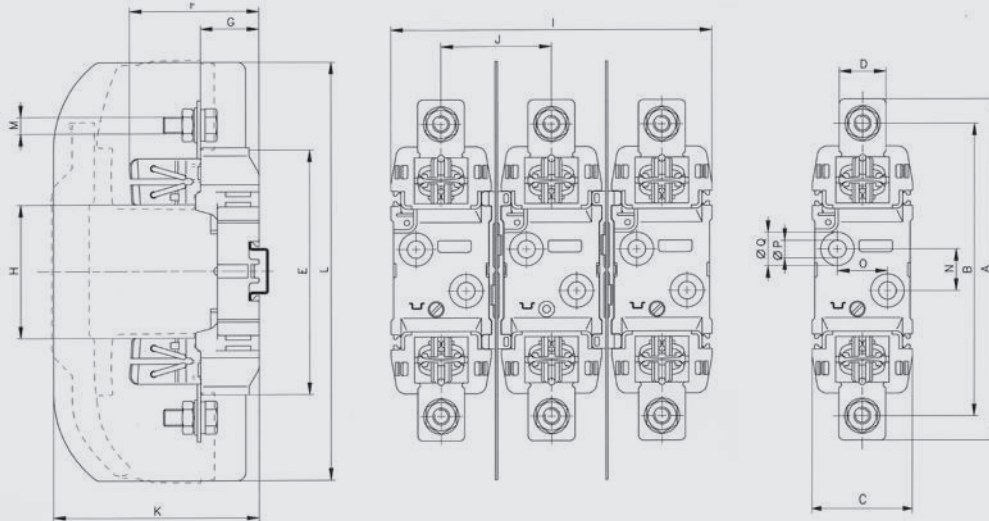
NH00



* IP20 VERSION

TECHNICAL
ST SINGLE POLE - THREE POLE NH FUSE BASES
DIMENSIONS

NH0
NH1
NH2
NH3

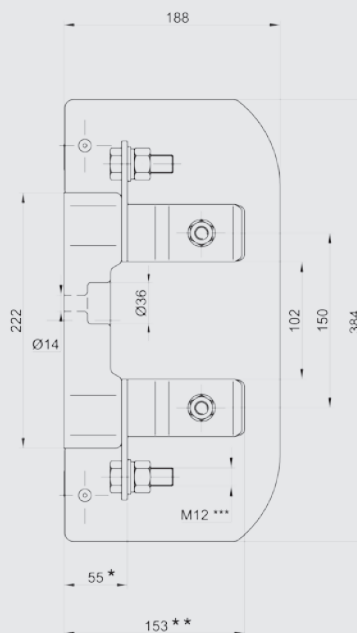
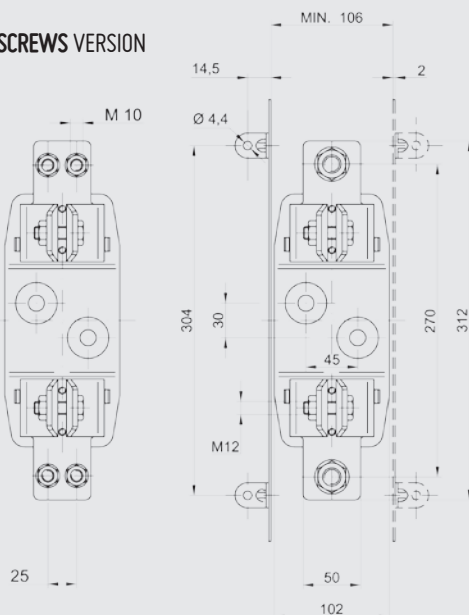


SIZE	A	B	C	D	E	F	G	H	I	J	K	L	M	N	O	P	Q
NH0	170	150	47	24	122	63	29	74	144	48,5	91,5	185	M8	25	-	7,5	15
NH1	200	175	60	28	148	77,5	35	80	192	66	123	250	M10	25	30	10,5	20,5
NH2	225	200	60	32	148	88	35	80	192	66	123	250	M12	25	30	10,5	20,5
NH3	240	210	60	38	148	97	35	80	224	82	143	270	M12	25	30	10,5	20,5

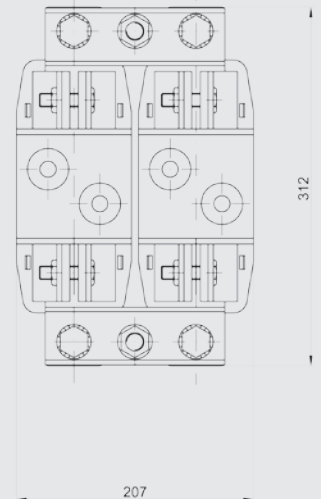
TECHNICAL
ST NH FUSE BASES
DIMENSIONS

NH4

2 SCREWS VERSION



2500 A VERSION



* 2500 A VERSION: 63 mm
1600 A VERSION: 60 mm

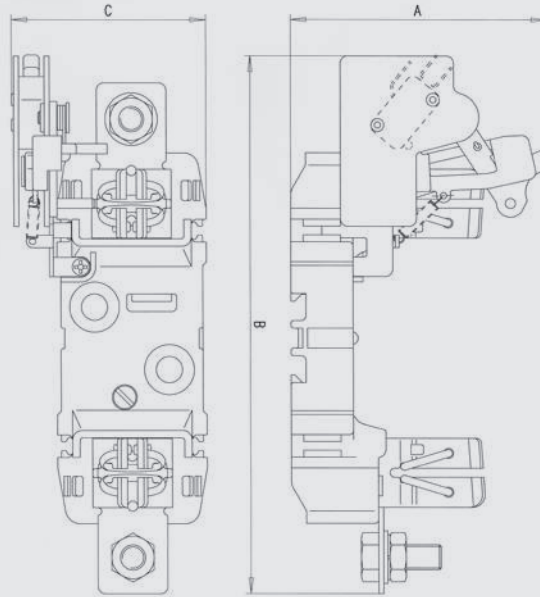
** 1600 A VERSION: 158 mm

*** 1600 A VERSION: M16

TECHNICAL

ST WITH MICROSWITCH NH FUSE BASES DIMENSIONS

NH0
NH1
NH2
NH3
NH4

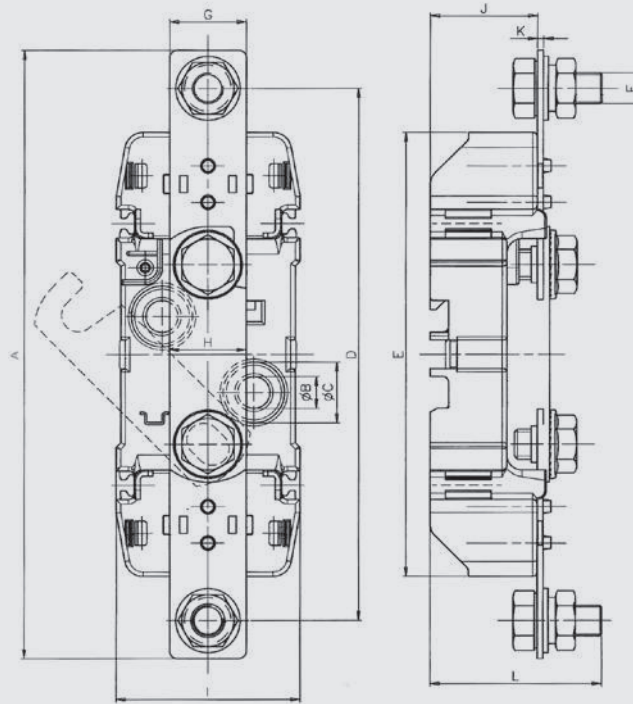


SIZE	A	B	C
NH0	90	193	65,5
NH1	98	215	76
NH2	102	227	76
NH3	102	235	76
NH4	140	284	113

TECHNICAL

SECTIONABLE NEUTRAL FUSE BASES DIMENSIONS

NH00
NH0
NH1
NH2
NH3



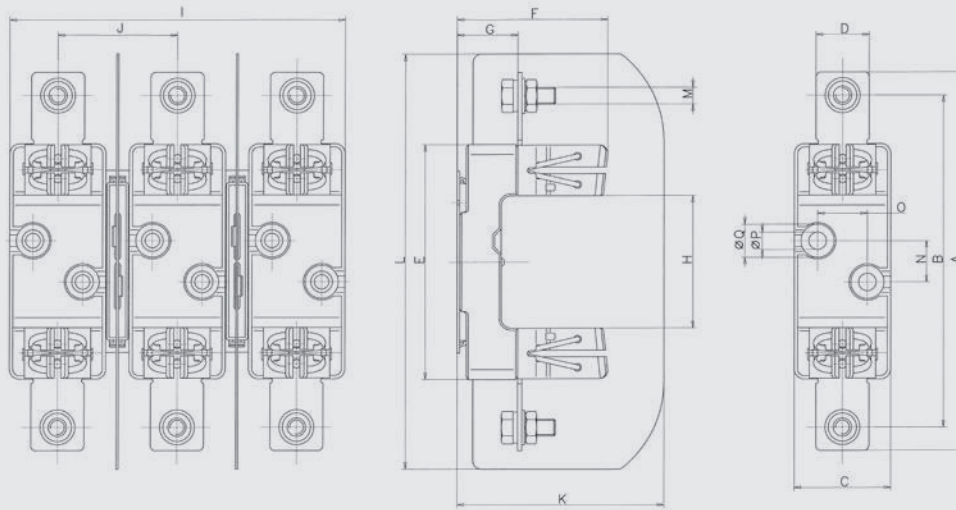
SIZE	A	B	C	D	E	F	G	H	I	J	K	L
NH00	120,5	7,5	15	100	86	M8	20	0	37	23	2	43
NH0	170	7,5	15	150	122	M8	20	0	47	29	2	49
NH1-NH2-NH3	200	10,5	20	175	146	M10	25	30	60	35	2	60

TECHNICAL

CR SINGLE POLE - THREE POLE NH FUSE BASES DIMENSIONS

CLIP
CONTACT

NH00
NH0
NH1
NH2
NH3



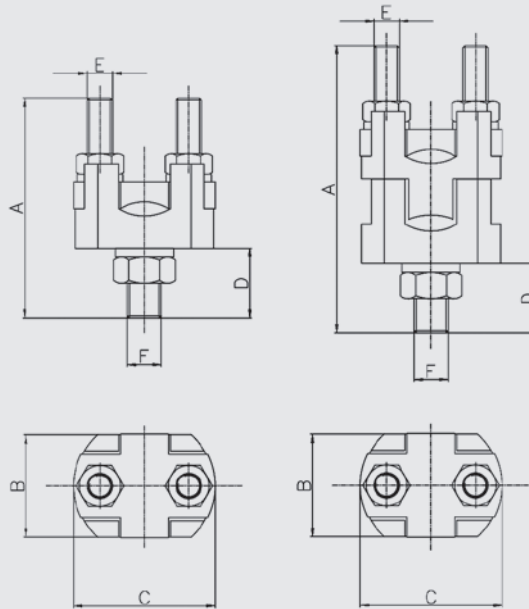
SIZE	A	B	C	D	E	F	G	H	I	J	K	L	M	N	O	P	Q
NH00	120,5	100	30	20	86	63,5	27	56,5	100	35	90	146	M8	25	-	7,5	15
NH0	170	150	30	24	130	71	37	74	127	48,5	98	185	M8	25	-	7,5	15
NH1	200	175	58	28	142	79,5	37	80	202	72	127	250	M10	25	30	10,5	20,5
NH2	225	200	58	32	142	91	37	80	202	72	127	250	M12	25	30	10,5	20,5
NH3	240	210	58	38	142	99	37	80	222	82	147	270	M12	25	30	10,5	20,5

TECHNICAL

ST
CR

NH FUSE BASES ACCESSORIES - TERMINALS DIMENSIONS

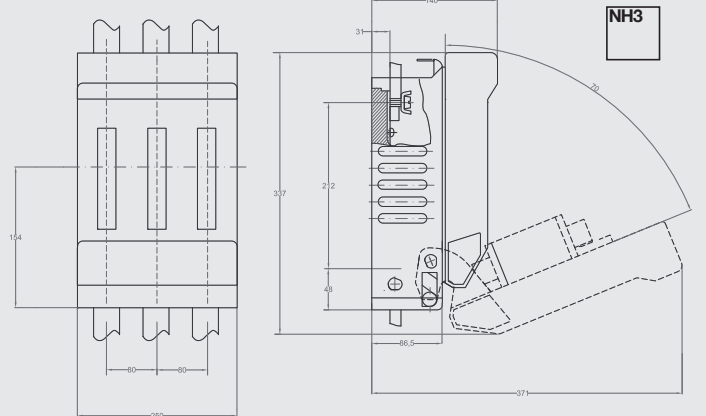
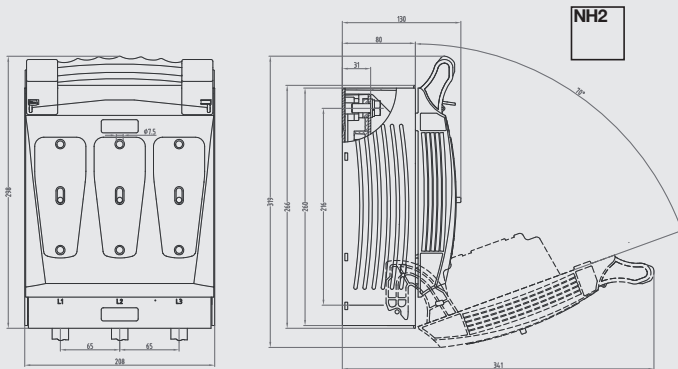
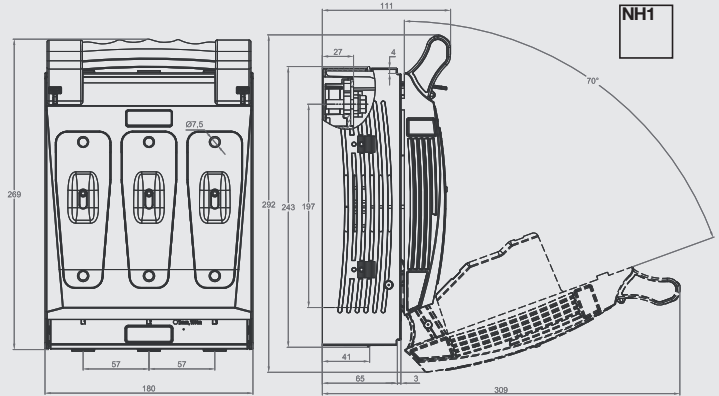
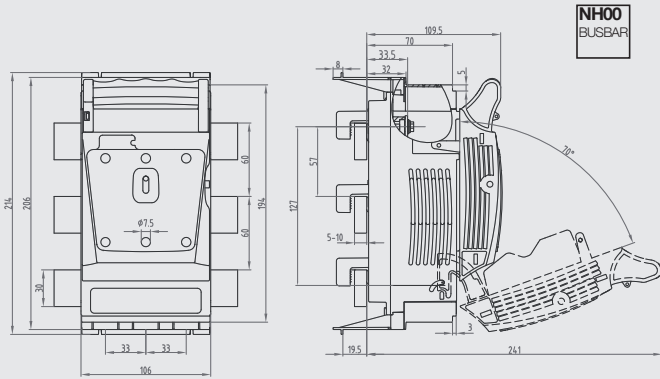
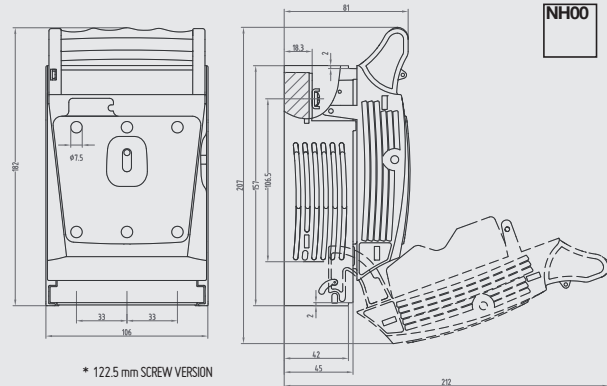
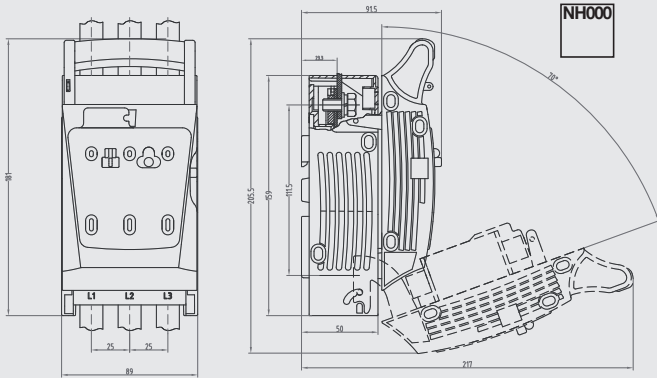
NH00
NH0
NH1
NH2
NH3
NH4



REFERENCE	A	B	C	D	E	F
343100	40	18	25	12	M5	M6
343160	51	24	33	16	M6	M8
343400	58	26	41	18	M8	M10
343630	68	36	52	21	M10	M12
344100	50	18	25	12	M5	M6
344160	72	24	33	16	M6	M8
344400	84	26	41	17	M8	M10
344630	110	36	52	21	M10	M12

TECHNICAL

BS NH FUSE SWITCH DISCONNECTORS DIMENSIONS & TECHNICAL DATA

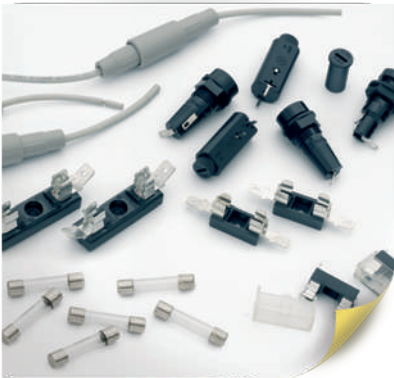


SIZE	NH000	NH00	NH1	NH2	NH3
Rated current (I_{th})	160 A	160 A	250 A	400 A	630 A
Rated operational voltage (U_o)	690 V	690 V	690 V	690 V	690 V
Rated frequency	50-60 Hz	50-60 Hz	50-60 Hz	50-60 Hz	50-60 Hz
Maximum power dissipation of fuse link (P_n)	12 W	12 W	32 W	45 W	60 W
Rated insulation voltage (U_i)	690 V	1000 V	1000 V	1000 V	1000 V
Rated impulse withstand voltage (U_{imp})	8 kV	8 kV	8 kV	8 kV	8 kV
Pollution degree	3	3	3	3	3
Protection index	IP20	IP20	IP20	IP20	IP20
Utilization categories	AC23B 400V 100A AC22B 400V 160A AC22B 690V 100A DC21B 250V 160A	AC23B 400V 160A DC21B 440V 160A DC22B 250V 160A	AC23B 400V 250A AC22B 690V 200A DC22B 250V 250A	AC23B 690V 400A DC22B 220V 400A DC21B 440V 400A	AC22B 690V 630A DC21B 250V 630A
Connecting wire	2 x M6 - CLAMP	M8 or 2 x M6 - CLAMP	M10	M10	M12
Tightening torque on terminals	3 Nm - CLAMP	10 Nm or 3 Nm - CLAMP	20 Nm	20 Nm	20 Nm
Clamp connection maximum cable cross-sectional area	35 mm ²	50 mm ²	50 mm ²	50 mm ²	50 mm ²

Electric

THE PROTECTION FORMULA

ELECTRONIC



CYLINDRICAL



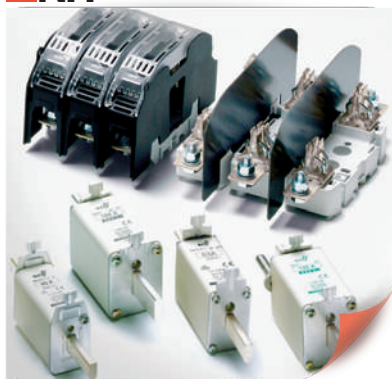
PHOTOVOLTAIC



RAPIDPLUS



NH



SPECIAL FUSE LINKS



DOMESTIC



D & DO



TRANSFORMERS



eXperts in
PROTECTION



HEAD OFFICE & FACTORY

SILICI, 67-69
08940 CORNELLA DE LLOBREGAT
BARCELONA
SPAIN
Tel. +34 93 377 85 85
Fax +34 93 377 82 82

EXPORT SALES

Tel. +34 93 475 08 64
Fax +34 93 480 07 75
export@df-sa.es

NATIONAL SALES

Tel. 93 475 08 64
Fax 93 480 07 76
comercial@df-sa.es

www.df-sa.es/nh