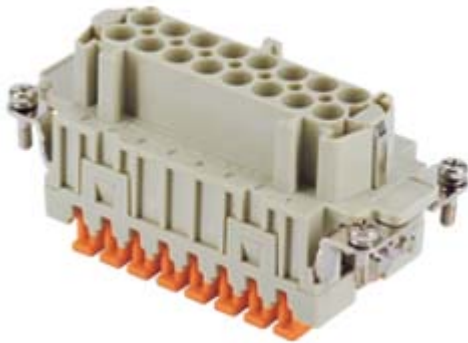


Part number

# CSHF 16



Female insert, CSH series, SQUICH® spring terminal connection without tools, 16 poles + PE, 16 A 500 V 6 kV 3, size "77.27"

#### Product description

|                        |  |
|------------------------|--|
| <b>Product type</b>    | Insert   |
| <b>Series</b>          | CSH  |
| <b>Connection type</b> | SQUICH® spring terminal connection without tools |
| <b>Gender</b>          | Female   |
| <b>N. of poles</b>     | 16 poles +                                       |
| <b>Size</b>            | Size 77.27                                       |

#### Technical data

|  |  |
|--|--|
| <b>Current</b>                           | 16 A   |
| <b>Voltage</b>                           | 500 V  |
| <b>Rated impulse withstand voltage</b>   | 6 kV   |
| <b>Pollution degree</b>                  | 3  |
| <b>Rated voltage according to UL/CSA</b> | 600 V  |
| <b>Wire cross-section</b>                | 0,14 mm <sup>2</sup> - 2,50 mm <sup>2</sup>                |
| <b>AWG size</b>                          | 26 - 14  |
| <b>Contact type</b>                      | Turned silver plated                                       |
| <b>IP degree of protection</b>           | IP20 without enclosure, IP65/IP66/IP68/IP69 with enclosure |

#### Further technical details

|   |                                    |
|---|------------------------------------|
| <b>Characteristics according to EN 61984</b>  | 16A 500V 6kV 3; 16A 400/690V 6kV 2 |
| <b>Mating cycles</b>                          | ≥ 500                              |
| <b>Insulation resistance</b>                  | ≥ 10 GΩ                            |
| <b>Contact resistance</b>                     | ≤ 3 mΩ                             |
| <b>Weight</b>                                 | 90,50 g                            |
| <b>Operating temperature range (min, max)</b> | -40 °C ... +125 °C                 |
| <b>Conductors stripping length</b>            | 9...11 mm                          |
| <b>UL 94 flammability rating</b>              | V-0                                |

#### Material properties

|                              |  |
|------------------------------|--|
| <b>Main material</b>         | Polycarbonate (PC)   |
| <b>Other materials</b>       | Contacts: copper alloy   |
| <b>Colour</b>                | RAL 7032 grey  |
| <b>RoHs conformity</b>       | Compliant with exemption 6(c): copper alloy containing up to 4% lead by weight |
| <b>China RoHs - EFUP</b>     | 50   |
| <b>REACH SVHC substances</b> | Yes<br>Lead  |
| <b>SCIP number</b>           | 1a9c93ff-0445-4a16-81e3-1609ac5274d6   |

#### Approvals / Standards

|                           |                        |
|---------------------------|------------------------|
| <b>Reference standard</b> | EN 61984:2009-06       |
| <b>Certifications</b>     | CSA, CQC, DNV, BV, EAC |
| <b>UL</b>                 | ECBT2, PVVA2           |
| <b>cUL</b>                | ECBT8, PVVA8           |

#### General ordering information

|                   |               |
|-------------------|---------------|
| <b>EAN13 code</b> | 8015747019255 |
| <b>eCl@ss 8.1</b> | 27440205      |
| <b>ETIM 7.0</b>   | EC000438      |

#### Packaging Information

|                                  |                      |
|----------------------------------|----------------------|
| <b>Packaging length</b>          | 245,00 mm            |
| <b>Packaging height</b>          | 165,00 mm            |
| <b>Packaging width</b>           | 215,00 mm            |
| <b>Packaging weight</b>          | 3,21 kg              |
| <b>Packaging volume</b>          | 8,69 dm <sup>3</sup> |
| <b>Packaging description</b>     | Carton box           |
| <b>Packaging quantity</b>        | 30 Pcs               |
| <b>Packaging EAN code</b>        | 8015747170680        |
| <b>Sub-packaging length</b>      | 197,00 mm            |
| <b>Sub-packaging height</b>      | 44,00 mm             |
| <b>Sub-packaging width</b>       | 113,00 mm            |
| <b>Sub-packaging weight</b>      | 0,54 kg              |
| <b>Sub-packaging volume</b>      | 0,98 dm <sup>3</sup> |
| <b>Sub-packaging description</b> | Carton tray          |
| <b>Sub-packaging quantity</b>    | 5 Pcs                |
| <b>Sub-packaging EAN barcode</b> | 8015747170697        |

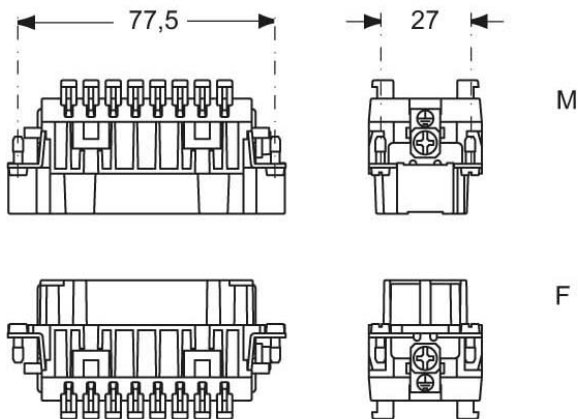
# Part number CSHF 16



Catalogue drawings

Catalogue drawings

dimensions in mm



contacts side (front view)

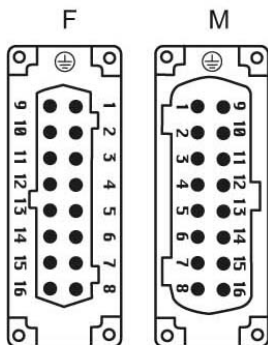
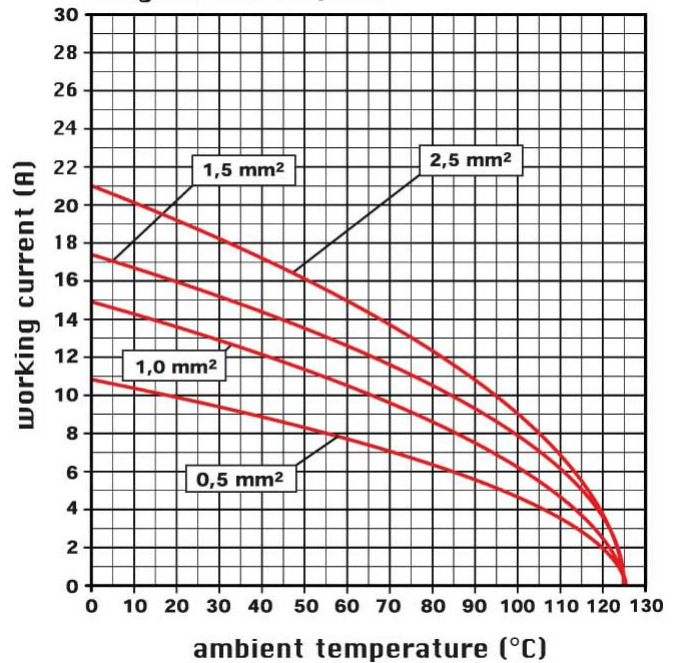


diagram CSH 16 poles



## Notes

### California Proposition 65 Information



**WARNING**

This product can expose you to lead and its compounds, known to the State of California to cause cancer and/or reproductive toxicity. For more information go to [www.P65Warnings.ca.gov](http://www.P65Warnings.ca.gov).

### California Proposition 65 Information



**WARNING**

This product can expose you to lead and its compounds, known to the State of California to cause cancer and/or reproductive toxicity. For more information go to [www.P65Warnings.ca.gov](http://www.P65Warnings.ca.gov).

