

Part number

CX 3.0 PM



Male pneumatic contact, without closing valve, for tubes with internal diameter 3 mm

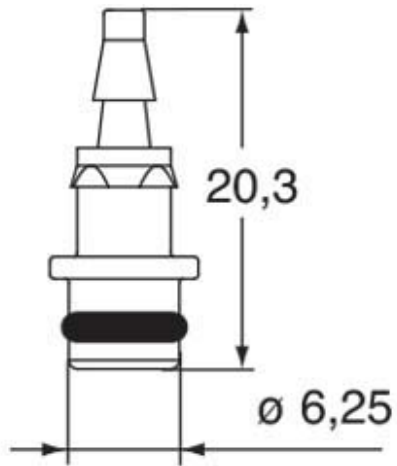
Product description		Material properties	
Product type	Pneumatic contact	Main material	Polyamide (PA)
Gender	Male	RoHs conformity	Compliant
Specification	Without closing valve For tubes with internal diameter 3 mm	China RoHs - EFUP	E
		REACH SVHC substances	No
Further technical details		General ordering information	
Weight	0,43 g	EAN13 code	8015747042109
Operating temperature range (min, max)	-40°C ... +125°C	eCl@ss 8.1	27440204
		ETIM 7.0	EC000796
Packaging Information			
		Sub-packaging length	50,00 mm
		Sub-packaging height	44,00 mm
		Sub-packaging width	50,00 mm
		Sub-packaging volume	0,11 dm ³
		Sub-packaging description	Plastic box
		Sub-packaging quantity	12 Pcs
		Sub-packaging EAN barcode	8015747042116

Part number

CX 3.0 PM



Catalogue drawings



Notes