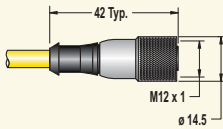
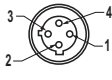
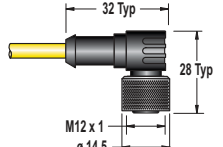
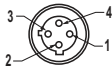


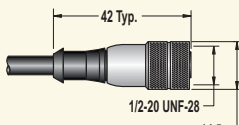
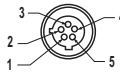
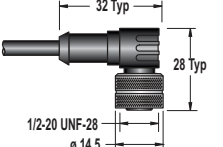
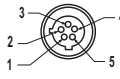
4-Pin Micro-Style Cordsets

Cable: PVC jacket, PUR (polyurethane) connector body, nickel-plated brass coupling nut
 Conductors: 22 AWG, gold-plated contacts
 Voltage Rating: 125V ac/150V dc
 Temperature: -40° to +80° C Environmental Rating: IP67

Style	Length	Model	Cable Diameter	Dimensions (mm)	Pinout	Used With
Straight	1.83 m	MQEAC-406	5.7 mm		Female  1 = Red/Black 2 = Red/White 3 = Red 4 = Green	• SI-HG80 hinge-style switches
	4.57 m	MQEAC-415				
	9.14 m	MQEAC-430				
Right-Angle	1.83 m	MQEAC-406RA	5.70 mm		Female  1 = Red/Black 2 = Red/White 3 = Red 4 = Green	• SI-HG80 hinge-style switches
	4.57 m	MQEAC-415RA				
	9.14 m	MQEAC-430RA				

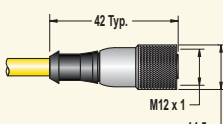
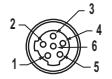
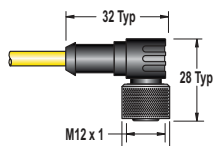
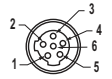
5-Pin Micro-Style Cordsets with Shield

Cable: PVC jacket, PUR (polyurethane) connector body, nickel-plated brass coupling nut
 Conductors: 22 AWG with 22 AWG drain wire (shielded), gold-plated contacts
 Voltage/Current Rating: 250V ac/dc, 4.0 A
 Temperature: -40° to +105° C Environmental Rating: IP67

Style	Length	Model	Cable Diameter	Dimensions (mm)	Pinout	Used With
Straight	1.83 m	MQVR3S-506	6.10 mm		Female  1 = Brown 2 = White 3 = Yellow 4 = Black 5 = Blue	• QT50U ac/dc sensors • EZ-LIGHT ac indicators
	4.57 m	MQVR3S-515				
	9.14 m	MQVR3S-530				
Right-Angle	1.83 m	MQVR3S-506RA	6.10 mm		Female  1 = Brown 2 = White 3 = Yellow 4 = Black 5 = Blue	• QT50U ac/dc sensors • EZ-LIGHT ac indicators
	4.57 m	MQVR3S-515RA				
	9.14 m	MQVR3S-530RA				

6-Pin Micro-Style Cordsets

Cable: PVC jacket, PUR (polyurethane) connector body, nickel-plated brass coupling nut
 Conductors: 22 AWG, gold-plated contacts
 Voltage/Current Rating: 125V ac, 4.0 A
 Temperature: -40° to +80° C Environmental Rating: IP67

Style	Length	Model	Cable Diameter	Dimensions (mm)	Pinout	Used With
Straight	1.83 m	MQEAC-606	5.60 mm		Female  1 = Red/White 2 = Red 3 = Green 4 = Red/Yellow 5 = Red/Black 6 = Red/Blue	• SI-HG63 hinge-style switches
	4.57 m	MQEAC-615				
	9.14 m	MQEAC-630				
Right-Angle	1.83 m	MQEAC-606RA	5.60 mm		Female  1 = Red/White 2 = Red 3 = Green 4 = Red/Yellow 5 = Red/Black 6 = Red/Blue	• SI-HG63 hinge-style switches
	4.57 m	MQEAC-615RA				
	9.14 m	MQEAC-630RA				