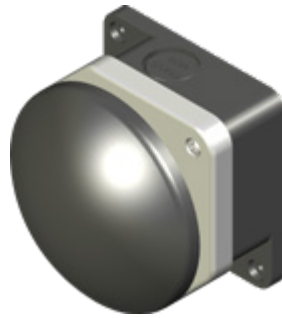


PG1M9W01 (NC)



PG8M9W10 (NO)

PG1M9W01 PG8M9W10

Ø90 MUSHROOM PUSH BUTTON WITH ENCLOSURE FIXING, MOMENTARY OPERATION

Type	momentary push button
Operator	Ø90 mushroom
Fixing	enclosure
Cable entry	3 × Pg 13.5 / M20 knockouts
IP rating	IP66
Temperature	
operating	-25 ... +70°C
storage	-30 ... +70°C
Marking	CE

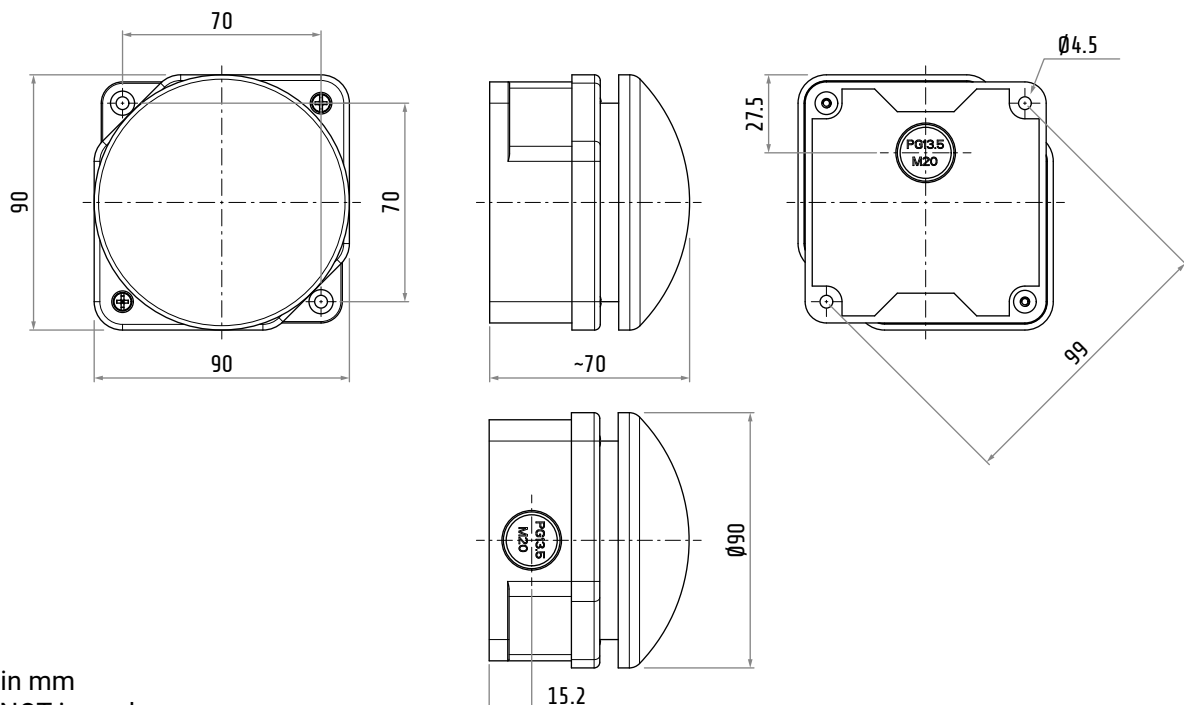
Code	Contact	Color
PG1M9W01	normally closed (1 NC)	cover: yellow cap: red
PG8M9W10	normally closed (1 NO)	cover: gray cap: black

Contact operation	slow action double breaking
Contact terminal type	spring
Connectable section	0.5 ... 2.5 mm ² 18 ... 12 AWG
Wire peeling length	8 mm

Rated insulation voltage	Ui	690 V *
Rated impulse withstand voltage	Uimp	4 kV *
Rated thermal current	Ith	16 A *
Rated enclosed thermal current	Ithe	10 A
Frequency		50/60 Hz

* IMQ approved values

Customizable on request with a maximum of 3 contacts



Dimensions in mm
Illustrations NOT in scale