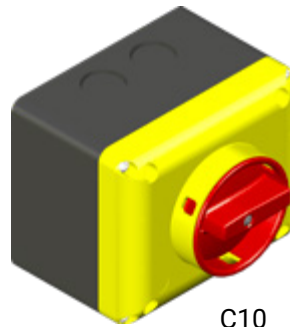


C09

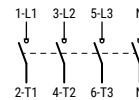
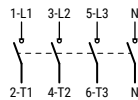
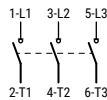
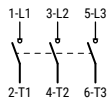


C10

# SE16...C09/C10 SE32...C09/C10

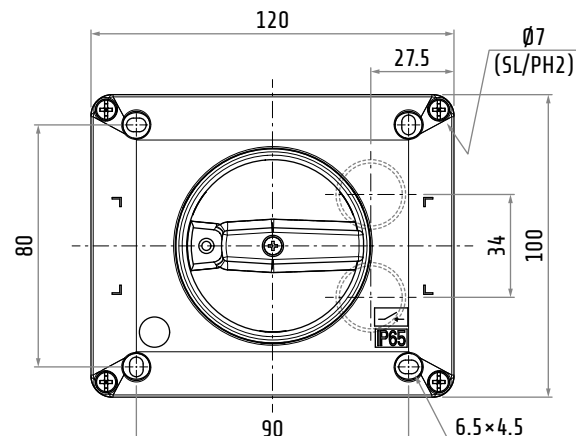
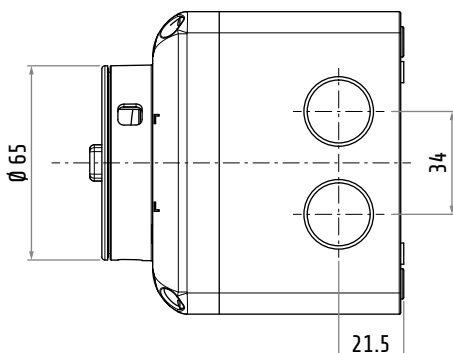
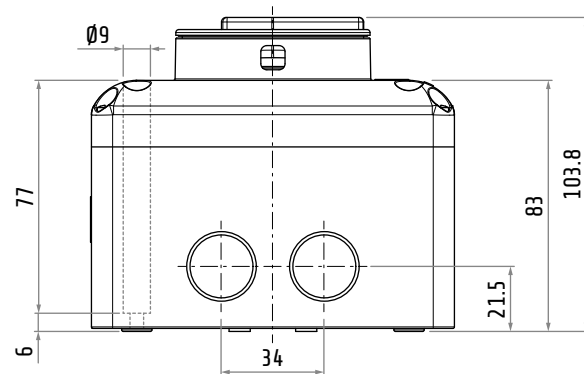
**REGOLUS SWITCH DISCONNECTORS IN  
THERMOPLASTIC ENCLOSURE (32 A / 40 A)**

Series	3 poles (C09)	3 poles (C10)	4 poles (C09)	4 poles (C10)	AC-21A 690 V	AC-23A 400 V
SE16	SE160003BC09	SE160003BC10	SE160004BC09	SE160004BC10	32 A	25 A
SE32	SE320003BC09	SE320003BC10	SE320004BC09	SE320004BC10	40 A	32 A



### Enclosure features

- Material: thermoplastic
- IP rating: IP65
- Double insulation
- Operating temperature certified down to -40°C
- Enclosure opening in "0" position
- Cable entry: 8 knockouts for Pg16 cable glands (of which 2 on the bottom)
- Locking facility in "0 - OFF" (max 3 padlocks)
- Dimensions: 120x100x85 mm
- C09: black box, grey cover and black knob
- C10: black box, yellow cover and red knob
- Marking: CE (UL version available)



Dimensions in mm / illustrations NOT in scale

# SWITCH DISCONNECTORS SPECIFICATIONS

## General characteristics

Connections	terminal block caliber	EN60947-1	A2
	terminal screw		M3.5
	tightening torque	EN60947-1 UL508	0.8 N·m 12 lb-in
Connectable section	flexible conductors		1 ... 2.5 mm <sup>2</sup> / AWG 10 ... 2
	solid conductors		1 ... 2.5 mm <sup>2</sup> / AWG 10 ... 2
Contacts			slow action, double breaking

## EN 60947-3 characteristics

			SE16...	SE32...
Rated operating voltage	U <sub>e</sub>		690 V *	690 V *
Rated insulation voltage	U <sub>i</sub>		690 V *	690 V *
Rated impulse withstand voltage (sectionable)	U <sub>imp</sub>		4 kV *	4 kV *
Rated thermal current	I <sub>th</sub>		32 A	40 A *
Rated enclosed thermal current	I <sub>the</sub>		32 A	40 A *
Frequency			50 Hz	50 Hz

## Rated operating current (I<sub>e</sub>)

			SE16...	SE32...
AC-21A		690 V	32 A	40 A
AC-22A		690 V	25 A	32 A *
AC-23A	3 phases - 3 poles	400 V	25 A	32 A
AC-3	3 phases - 3 poles	400 V	22 A	30 A

## Short circuit characteristics

			SE16...	SE32...
Rated short-time short circuit withstand current (1 s)	I <sub>cw</sub>		400 A *	400 A *
Rated short circuit making capacity	I <sub>cm</sub>		1500 A *	1500 A *
Conditional rated short circuit withstand current			10 kA *	10 kA *
Fuse rating (type gG)		690 V	40 A *	40 A *

## UL508 characteristics

			SE16...	SE32...
General use		600 V AC	32 A	40 A
Standard motor load	1 phase - 2 poles	200 - 208 V AC	2 HP	3 HP
	3 phases - 3 poles	200 - 208 V AC	7.5 HP	10 HP

\* IMQ values.