

C41

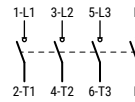
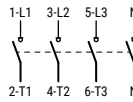
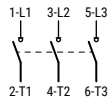
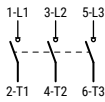


C42

SE63...C41/C42 SE80...C41/C42 SE100...C41/C42

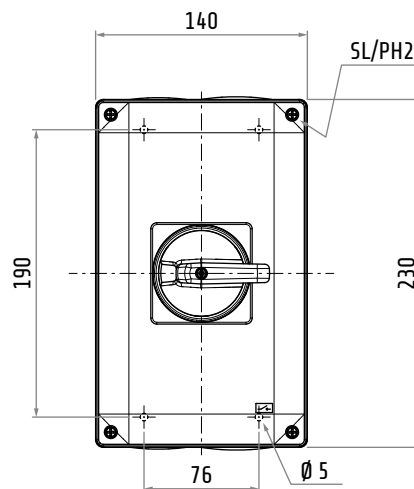
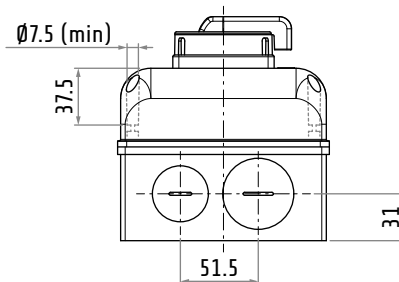
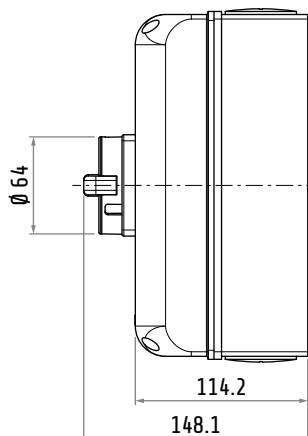
REGOLUS SWITCH DISCONNECTORS IN THERMOPLASTIC ENCLOSURE (63 A / 80 A / 100 A)

Series	3 poles (C41)	3 poles (C41)	4 poles (C42)	4 poles (C42)	AC-21A 690 V	AC-23A 400 V
SE63	SE630003BC41	SE630003BC42	SE630004BC41	SE630004BC42	63 A	50 A
SE80	SE800003BC41	SE800003BC42	SE800004BC41	SE800004BC42	80 A	60 A
SE100	SE1000003BC41	SE1000003BC42	SE1000004BC41	SE1000004BC42	100 A	67 A



Enclosure features

- Material: thermoplastic
- IP rating: IP65
- Double insulation
- Operating temperature certified down to -40°C
- Enclosure opening in "0" position
- Cable entry: 2 × M32 + 2 × M40 plugs
- Locking facility in "0 - OFF" (max 3 padlocks)
- Dimensions: 140×230×114 mm
- C41: black box, yellow cover and red knob
- C42: black box, grey cover and black knob
- Marking: CE, UL



Dimensions in mm / illustrations NOT in scale

SWITCH DISCONNECTORS SPECIFICATIONS

General characteristics

Connections	terminal block caliber	EN60947-1	A8
	terminal screw		M5
	tightening torque	EN60947-1 UL508	3 N·m 32 lb·in (3.6 N·m)
Connectable section	flexible conductors		6 ... 25 mm ² / AWG 10 ... 2
	solid conductors		10 ... 35 mm ² / AWG 10 ... 2
Contacts			slow action, double breaking

EN 60947-3 characteristics

			SE63...	SE80...	SE100...
Rated operating voltage	U _e		690 V	690 V	690 V
Rated insulation voltage	U _i		690 V	690 V	690 V
Rated impulse withstand voltage (sectionable)	U _{imp}		8 kV	8 kV	8 kV
Rated thermal current	I _{th}		63 A *	86 A *	100 A
Rated enclosed thermal current	I _{the}		86 A *	86 A *	86 A
Frequency			50 Hz	50 Hz	50 Hz

Rated operating current (I_e)

			SE63...	SE80...	SE100...
AC-21A		690 V	63 A *	80 A *	100 A
AC-22A		690 V	-	-	100 A
AC-23A	3 phases - 3 poles	400 V	50 A	63 A	70 A
AC-3	3 phases - 3 poles	400 V	40 A	50 A	55 A

Short circuit characteristics

			SE63...	SE80...	SE100...
Rated short-time short circuit withstand current (1 s)	I _{cw}		1500 A	1500 A	1500 A
Rated short circuit making capacity	I _{cm}		2840 A	2840 A	2840 A
Conditional rated short circuit withstand current			10 kA *	10 kA *	10 kA
Fuse rating (type gG)	500 V		-	-	100 A
	690 V		80 A *	80 A *	-

UL508 characteristics

			SE63...	SE80...	SE100...
General use		600 V AC	63 A	80 A	100 A
Standard motor load	1 phase - 2 poles	120 V AC	3 HP	3 HP	3 HP
	3 phases - 3 poles	240 V AC	10 HP	10 HP	10 HP

* IMQ values.