

JR28 Series Thermal Relay

1. Application

JR28 series thermal relay is suitable for using in the circuit rated voltage up to 660V, rated current 630A AC50/60Hz, for over-current protection of AC motor. The relay has the different mechanism and temperature compensation and can plug in CJX2 series AC contactor. The product conforms to IEC60947-4-1 standard.



JR28-25



JR28-36



JR28-93



JR28-150



JR28-200

2. Motion Characteristic: Three-phase Balance Motion Time

No	Times of the setting current(A)	Motion time			Start condition	Ambient temperature
1	1.05	>2h			Cold state	20±5℃
2	1.2	<2h			Heat state (Following the No.1 test)	
3	1.5	<4min				
4	7.2	10A	2s<Tp≤10s	≤63A	Cold state	
		10A	4s<Tp≤10s	>63A		

3. Phase-losing Motion Characteristic

No	Times of the setting current(A)		Motion time	Start condition	Ambient temperature
	Any two phases	Another phase			
1	1.0	0.9	>2h	Cold state	20±5℃
2	1.15	0	<2h	Heat state (Following the No.1 test)	

4. Specification

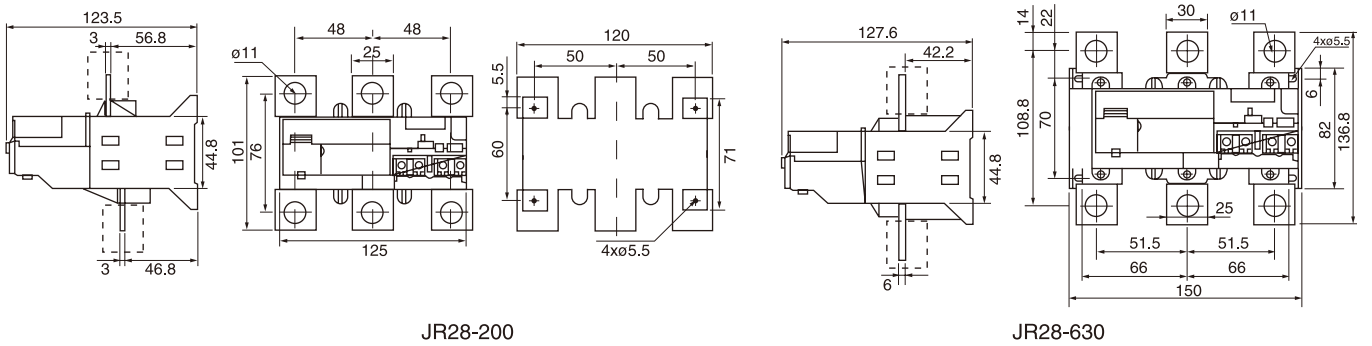
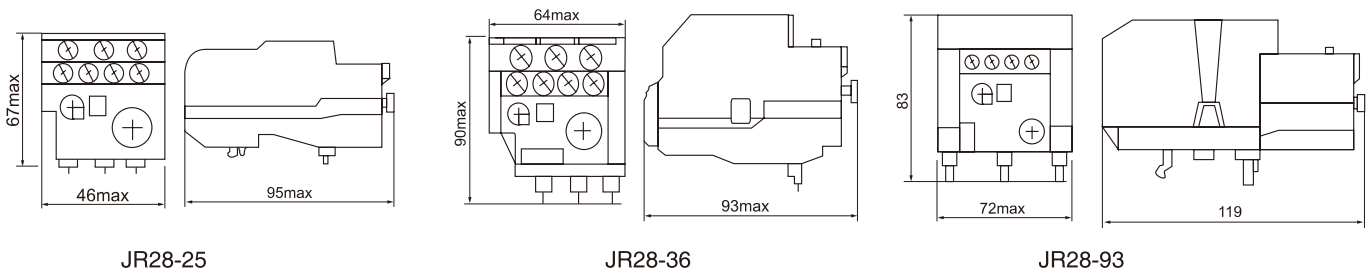
Type	Number	Setting range (A)	For contactor
JR28-25	1301	0.1~0.16	CJX2-D09
	1302	0.16~0.25	CJX2-D09
	1303	0.25~0.4	CJX2-D09
	1304	0.4~0.63	CJX2-D09
	1305	0.63~1	CJX2-D09
	1306	1~1.6	CJX2-D09
	1307	1.6~2.5	CJX2-D09
	1308	2.5~4	CJX2-D09
	1310	4~6	CJX2-D09
	1312	5.5~8	CJX2-D09
	1314	7~10	CJX2-D12
	1316	9~13	CJX2-D18
	1321	12~18	CJX2-D18
	1322	17~25	CJX2-D25
JR28-36	2353	23~32	CJX2-D32
	2355	30~40	CJX2-D40
JR28-93	3322	17~25	CJX2-D25
	3353	23~32	CJX2-D32
	3355	30~40	CJX2-D40
	3357	37~50	CJX2-D50
	3359	48~65	CJX2-D65
	3361	55~70	CJX2-D80
	3363	63~80	CJX2-D80
	3365	80~93	CJX2-D95
JR28-150	4365	80~104	CJX2-F115
	4367	95~120	CJX2-F150
	4369	110~140	CJX2-F150






JR28-630

Type	Number	Setting range (A)	For contactor
JR28-150	5369	90~150	CJX2-F150
JR28-200	F5357	30~50	CJX2-F115
	F5363	48~80	CJX2-F115
	F5367	60~100	CJX2-F115
	F5369	90~150	CJX2-F150
	F5371	132~220	CJX2-F225
JR28-630	F7375	200~330	CJX2-F330
	F7379	300~500	CJX2-F500
	F7381	380~630	CJX2-F630

5. Outline and Mounting Dimension (mm)



6. Accessories

Pic			
Description	JR28-25 mounting base	JR28-36 mounting base	JR28-93 mounting base
Application	Assembled with JR28-25 to form a complete set	Assembled with JR28-36 to form a complete set	Assembled with JR28-93 to form a complete set